



The Conveyor Shop

**Belting Brochure
Pricelist**

1. *Front Page*
2. *Contents Page*
3. *Flat Belting*
4. *Flat Belting*
5. *Chevron Belting V6*
6. *Chevron Belting C12 V250*
7. *Chevron Belting ES13 1/2*
8. *Chevron Belting C15 V330*
9. *Chevron Belting C15 V450*
10. *Chevron Belting C15 P385*
11. *Chevron Belting C15 P600*
12. *Chevron Belting C15 P750*
13. *Chevron Belting U15 P550*
14. *Chevron Belting U15 P700*
15. *Chevron Belting L30*
16. *Chevron Belting L44*
17. *Chevron Belting L55*
18. *Chevron Belting L63*
19. *Chevron Belting L75*
20. *Chevron Belting L95*
21. *Chevron Belting L129*
22. *Chevron Belting C25 P450*
23. *Chevron Belting C25 P550*
24. *Chevron Belting C25 P750*
25. *Chevron Belting C25 P1000*
26. *Chevron Belting C25 P1335*
27. *Chevron Belting H46*
28. *Chevron Belting H58*
29. *Chevron Belting H63*
30. *Chevron Belting H75*
31. *Chevron Belting H100*
32. *Chevron Belting H130*
33. *Chevron Belting Y32 P450*
34. *Chevron Belting Y32 P600 OPEN*
35. *Chevron Belting Y32 P600 CLOSED*
36. *Chevron Belting Y32 P800*

We offer a vast range of flat belting as per the specifications listed below. If you have any queries or the belt you require isn't listed, please get in touch as we may still be able to help.

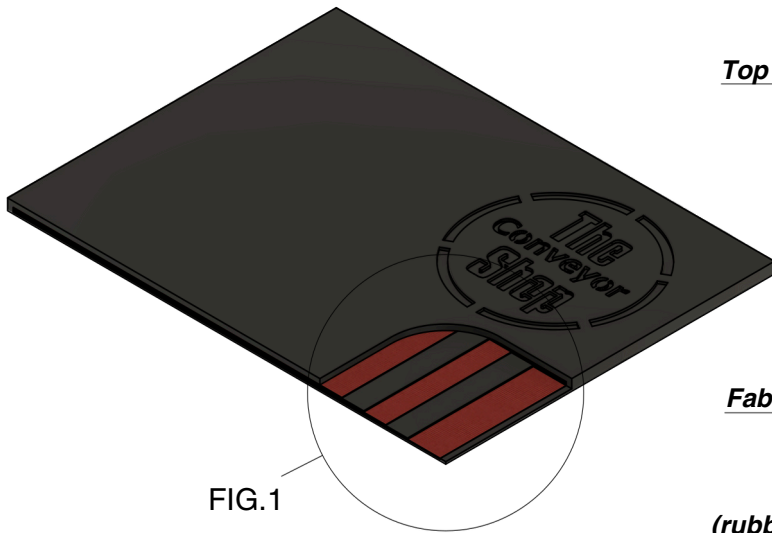
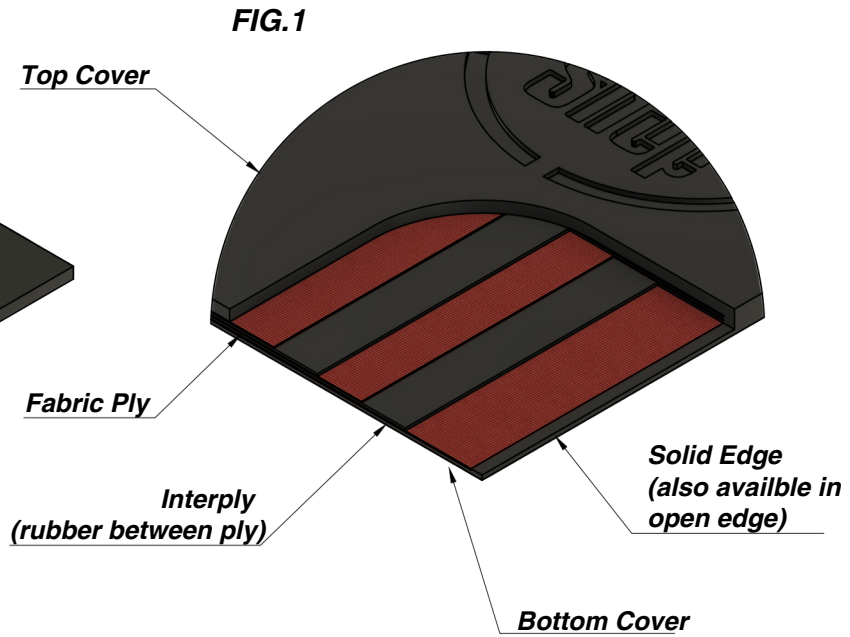
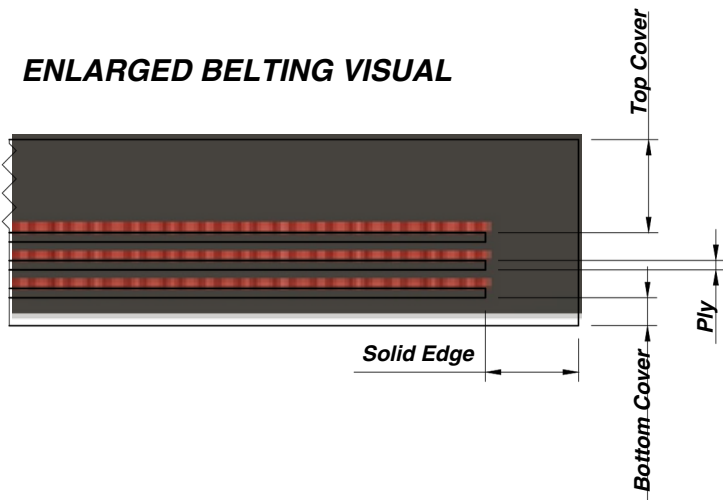


FIG.1



ENLARGED BELTING VISUAL

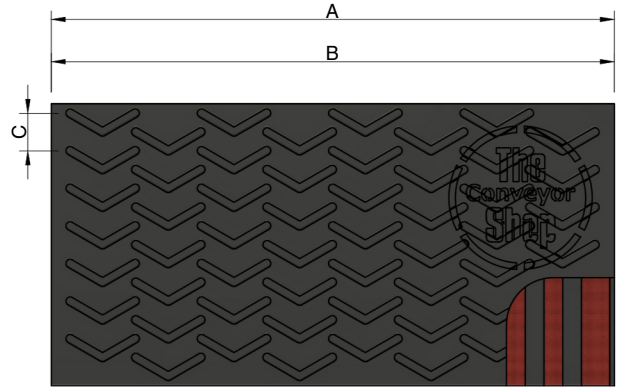


The number of ply's varies dependent on the specification of belting

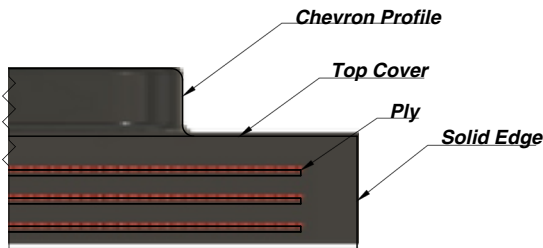
STANDARD FLAT BELTING (DIN 22. 102, ± DIN "Y")					
Name/Product Code	Top Cover	Bottom Cover	No. of Ply's	Available Belt Widths	Price / m²
EP 100 / 1 - 1 + 1mm	1mm	1mm	1	300 - 2000mm	£14.96
EP 200 / 2 - 2 + 2mm	2mm	1mm	2	300 - 2000mm	£20.46
EP 250 / 2 - 3 + 1mm	3mm	1mm	2	300 - 2000mm	£24.53
EP 250 / 2 - 4 + 2mm	4mm	2mm	2	650 - 800mm	£27.83
EP 315 / 2 - 4 + 2mm	4mm	2mm	2	300 - 2000mm	£28.44
EP 400 / 3 - 3 + 1 1/2mm	3mm	1 1/2 mm	3	600 - 1200mm	£26.18
EP 400 / 3 - 4 + 2mm	4mm	2mm	3	300 - 2400mm	£31.24
EP 400 / 3 - 6 + 2mm	6mm	2mm	3	600 - 2400mm	£38.39
EP 500 / 3 - 5 + 1 1/2mm	5mm	1 1/2 mm	3	600 - 1200mm	£34.65
EP 500 / 3 - 6 + 2mm	6mm	2mm	3	650 - 1600mm	£39.82
EP 500 / 4 - 4 + 2mm	4mm	2mm	4	600 - 1200mm	£34.82
EP 500 / 4 - 5 + 2mm	5mm	2mm	4	650 - 2000mm	£38.39
EP 630 / 3 - 6 + 2mm	6mm	2mm	3	650 - 1200mm	£40.54
EP 630 / 4 - 6 + 2mm	6mm	2mm	4	650 - 2000mm	£42.63
EP 630 / 4 - 8 + 3mm	8mm	3mm	4	650 - 2000mm	£53.02
EP 800 / 3 - 8 + 3mm	8mm	3mm	3	1000 - 1200mm	£54.45
EP 800 / 4 - 6 + 2mm	6mm	2mm	4	800 - 1600mm	£43.84
EP 800 / 4 - 8 + 3mm	8mm	3mm	4	800 - 2000mm	£54.45
EP 1000 / 4 - 8 + 3mm	8mm	3mm	4	1000 - 1200mm	£57.48
EP 1250 / 5 - 10 + 3mm	10mm	3mm	5	1200 - 2000mm	£72.05

OIL RESISTANT FLAT BELTING (OIL "G" / "ROS")					
Name/Product Code	Top Cover	Bottom Cover	No. of Ply's	Available Belt Widths	Price / m²
EP 250 / 2 - 2 + 0mm	2mm	0mm	2	400 - 2000mm	£23.60
EP 400 / 3 - 2 + 0mm	2mm	0mm	3	400 - 2000mm	£30.64
EP 400 / 3 - 3 + 0mm	3mm	0mm	3	400 - 2000mm	£35.31
EP 500 / 4 - 3 + 0mm	3mm	0mm	4	400 - 2000mm	£42.35
EP 500 / 4 - 6 + 0mm	6mm	0mm	4	1400 - 1600mm	£52.36
EP 250 / 2 - 3 + 1mm	3mm	1mm	2	300 - 2000mm	£30.91
EP 400 / 3 - 4 + 2mm	4mm	2mm	3	400 - 2000mm	£39.93
EP 500 / 3 - 6 + 2mm	6mm	2mm	3	500 - 1400mm	£54.45

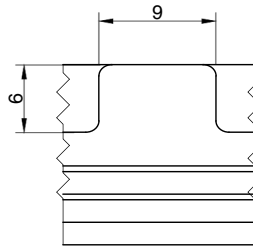
We offer a vast range of chevron belting as per the specifications listed below. If you have any queries or the belt you require isn't listed, please get in touch as we may still be able to help.



ENLARGED BELTING VISUAL



PROFILE VISUAL



V6 CHEVRON BELTING (DIN 22. 102, ± DIN "Y")

Name/Product Code	Top Cover	Bottom Cover	No. of Ply's	Available Belt Widths (A)	Cleat Width (B)	Cleat Pitch (C)	Price / m ²
EP 250 / 2 - 3 + 2mm	3mm	2mm	2	400-2000mm	400-2000mm	75mm	£41.75
EP 400 / 3 - 3 + 2mm	3mm	2mm	3	400-2000mm	400-2000mm	75mm	£46.92

OIL RESISTANT BELT V6 CHEVRON BELTING (OIL "G" / "ROS")

Name/Product Code	Top Cover	Bottom Cover	No. of Ply's	Available Belt Widths (A)	Cleat Width (B)	Cleat Pitch (C)	Price / m ²
EP 250 / 2 - 3 + 2mm	3mm	2mm	2	400-2000mm	400-2000mm	75mm	£45.93
EP 400 / 3 - 3 + 2mm	3mm	2mm	3	400-2000mm	400-2000mm	75mm	£51.65

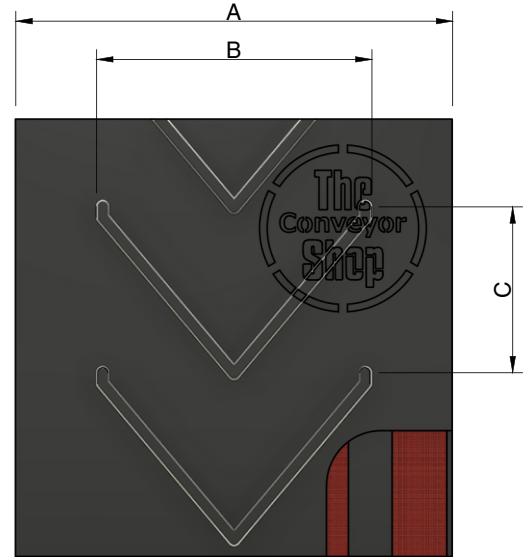
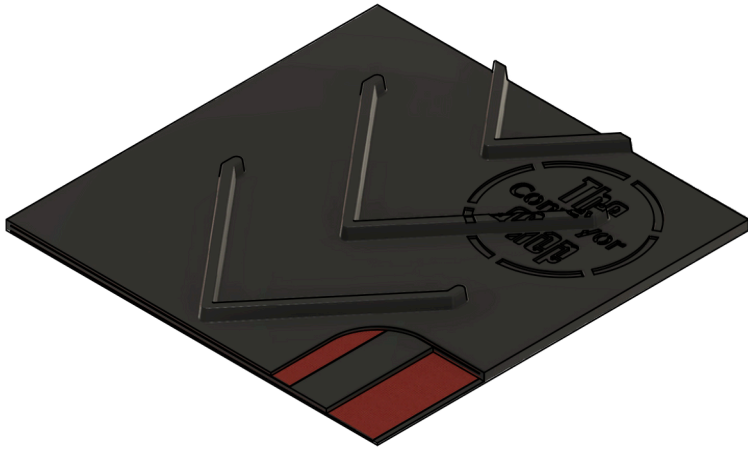
V6 GLIDE BELTS (DIN 22.102, ± DIN "Y")

Name/Product Code	Top Cover	Bottom Cover	No. of Ply's	Available Belt Widths (A)	Cleat Width (B)	Cleat Pitch (C)	Price / m ²
EP 400 / 3 - 3 + 0mm	3mm	0mm	3	2000mm	2000mm	75mm	£41.75

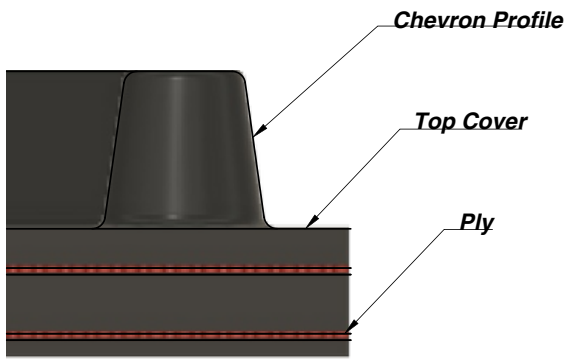
OIL RESISTANT BELT V6 CHEVRON BELTING (OIL "G" / "ROS")

Name/Product Code	Top Cover	Bottom Cover	No. of Ply's	Available Belt Widths (A)	Cleat Width (B)	Cleat Pitch (C)	Price / m ²
EP 400 / 3 - 3 + 0mm	3mm	0mm	3	2000mm	2000mm	75mm	£48.24

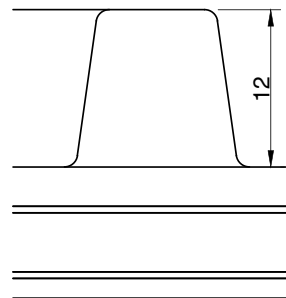
We offer a vast range of chevron belting as per the specifications listed below. If you have any queries or the belt you require isn't listed, please get in touch as we may still be able to help.



ENLARGED BELTING VISUAL

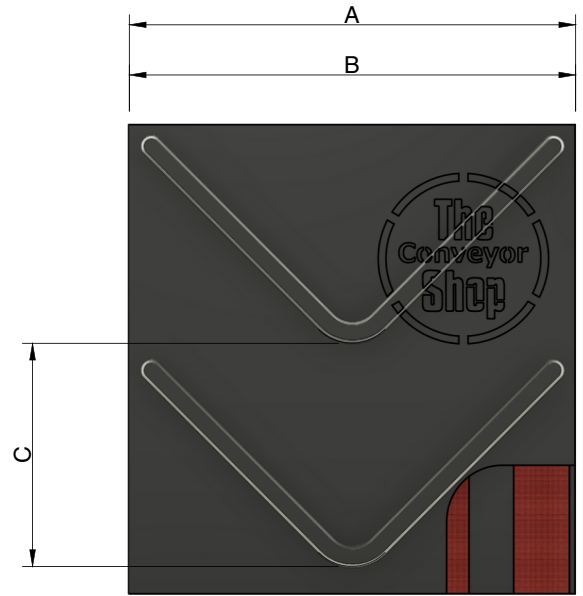
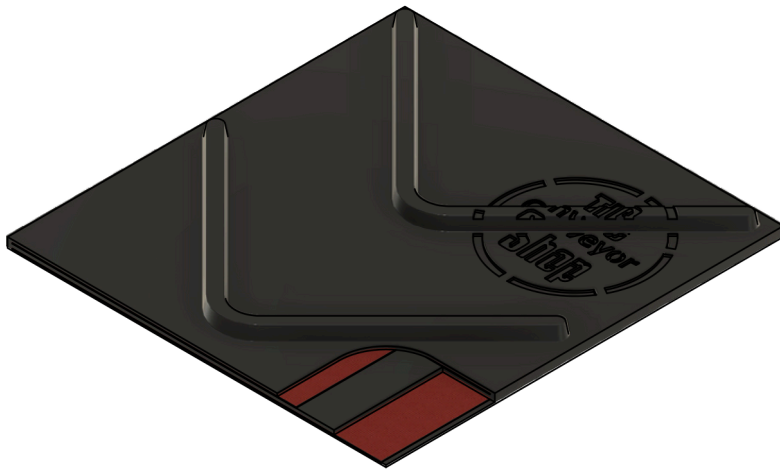


PROFILE VISUAL

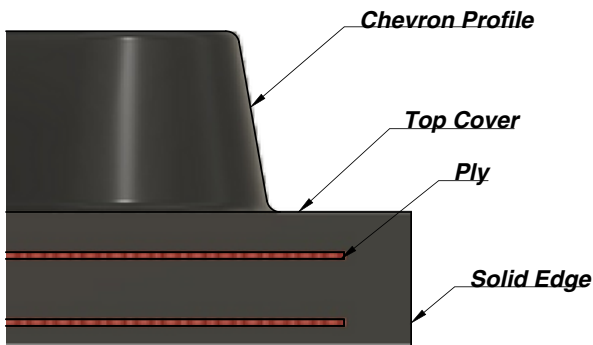


C12 V250 CHEVRON BELTING (DIN 22.102, ± DIN "Y")							
Name/Product Code	Top Cover	Bottom Cover	No. of Ply's	Available Belt Widths (A)	Cleat Width (B)	Cleat Pitch (C)	Price / m ²
EP 250 / 2 - 3 + 1 1/2mm	3mm	1 1/2mm	2	300 - 400mm	250mm	152mm	POA

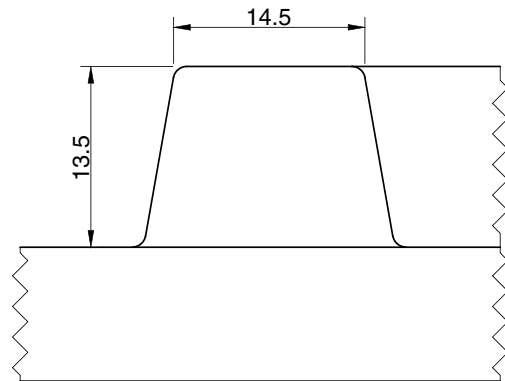
We offer a vast range of chevron belting as per the specifications listed below. If you have any queries or the belt you require isn't listed, please get in touch as we may still be able to help.



ENLARGED BELTING VISUAL



PROFILE VISUAL

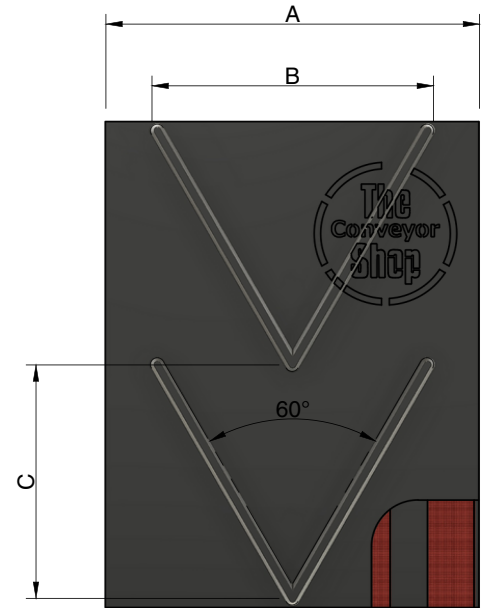
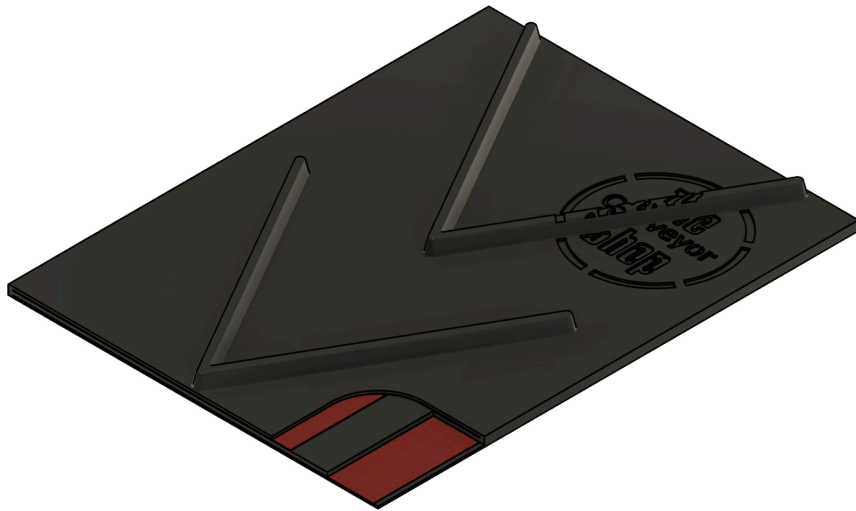


ES13 1/2 Chevron Belting (DIN 22.102, ± DIN "Y")							
Name/Product Code	Top Cover	Bottom Cover	No. of Ply's	Available Belt Widths (A)	Cleat Width (B)	Cleat Pitch (C)	Price / m ²
EP 400 / 3 - 3 + 1 1/2mm	3mm	1 1/2mm	3	500-800mm	500-800mm	200mm	£46.97

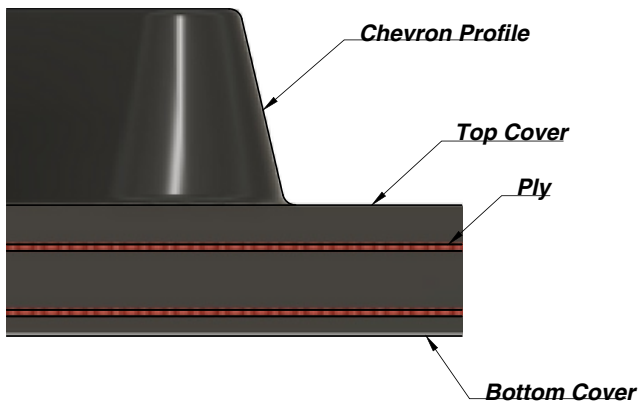
Chevron Belting - C15 V330 "Closed V"



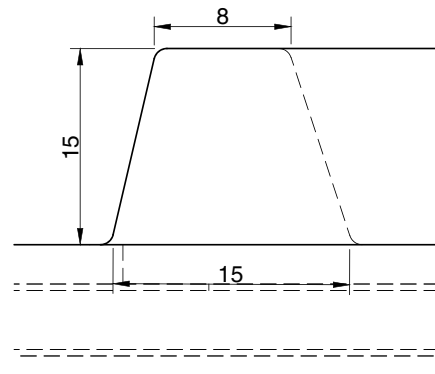
We offer a vast range of chevron belting as per the specifications listed below. If you have any queries or the belt you require isn't listed, please get in touch as we may still be able to help.



ENLARGED BELTING VISUAL

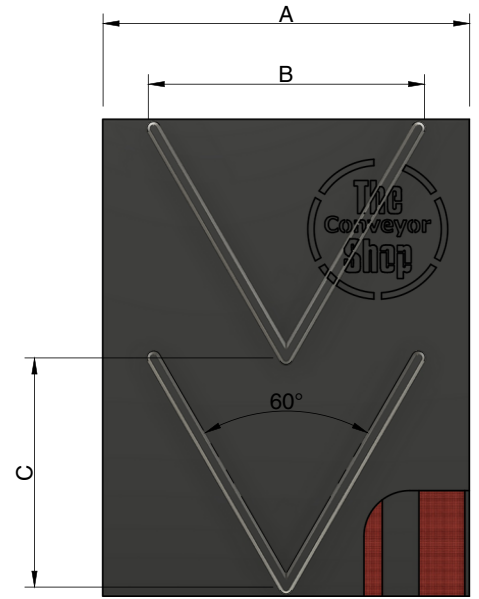
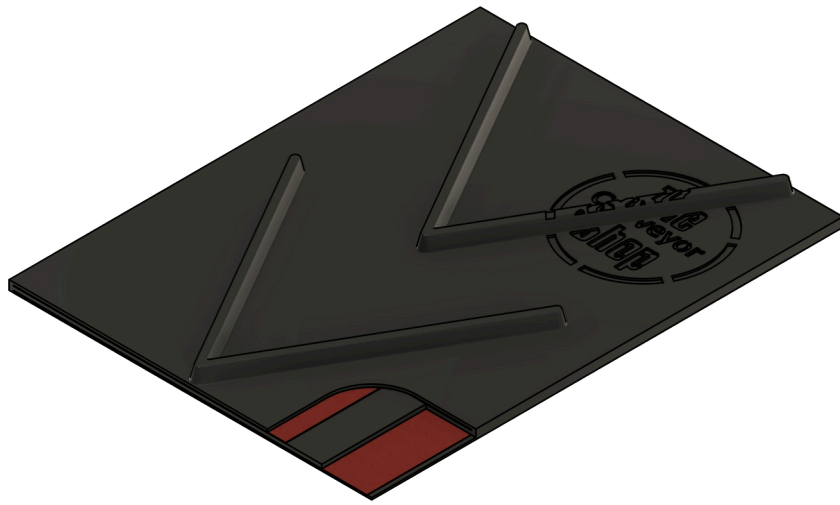


PROFILE VISUAL

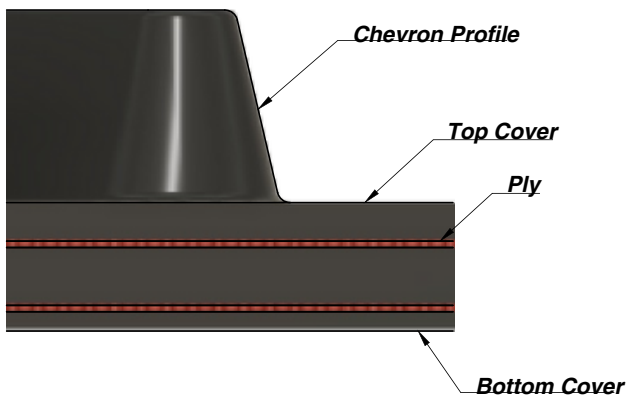


C15 V330 CHEVRON BELTING (DIN 22.102 ± DIN "Y")							
Name/Product Code	Top Cover	Bottom Cover	No. of Ply's	Available Belt Widths (A)	Cleat Width (B)	Cleat Pitch (C)	Price / m ²
EP 250/ 2 - 3 + 1 1/2	3mm	1 1/2mm	2	400-500mm	330mm	250mm	£41.75
EP 400/ 3 - 3 + 1 1/2	3mm	1 1/2mm	3	400-500mm	330mm	250mm	£45.98

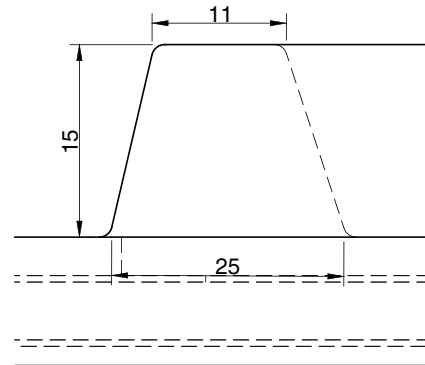
We offer a vast range of chevron belting as per the specifications listed below. If you have any queries or the belt you require isn't listed, please get in touch as we may still be able to help.



ENLARGED BELTING VISUAL

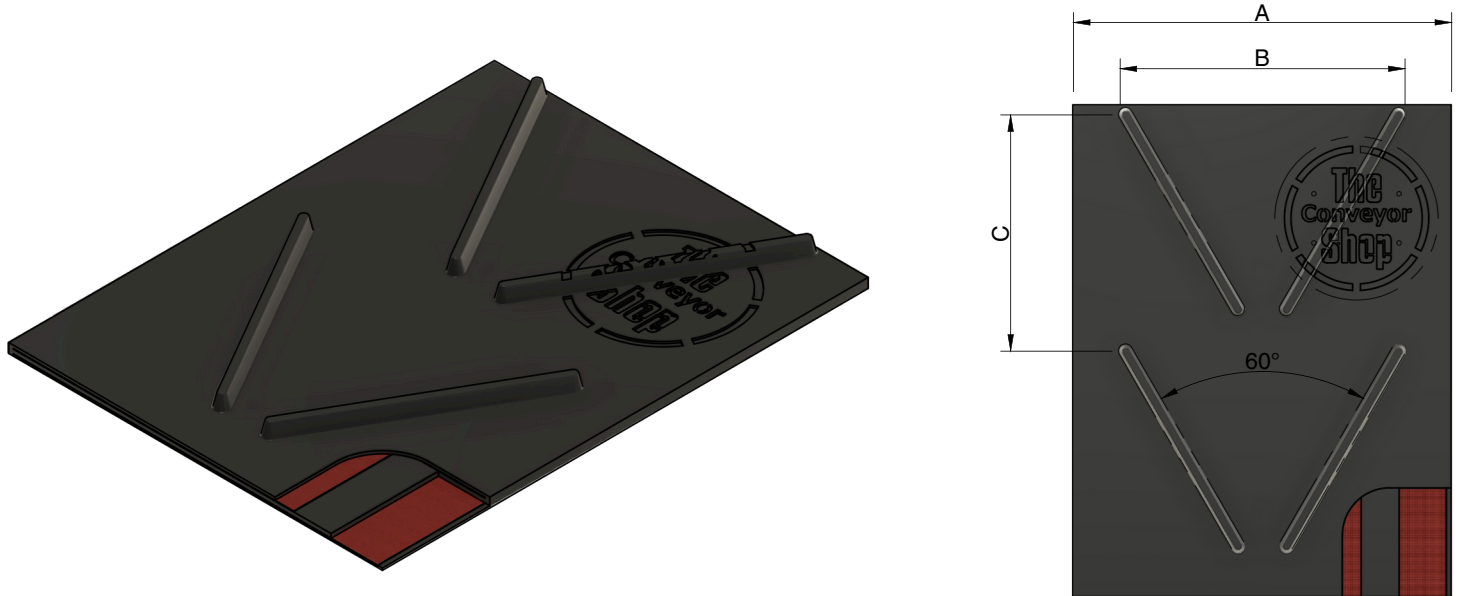


PROFILE VISUAL

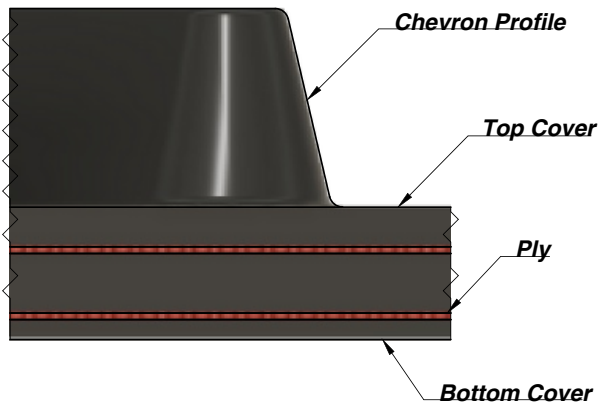


C15 V330 CHEVRON BELTING (DIN 22.102, ± DIN "Y")							
Name/Product Code	Top Cover	Bottom Cover	No. of Ply's	Available Belt Widths (A)	Cleat Width (B)	Cleat Pitch (C)	Price / m ²
EP 250 / 2 - 3 + 1 1/2mm	3mm	1 1/2mm	2	500-650mm	450mm	300mm	£41.75
EP 400 / 3 - 3 + 1 1/2mm	3m	1 1/2mm	3	500-650mm	450mm	300mm	£45.98

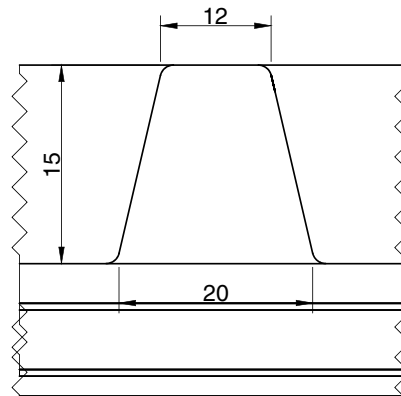
We offer a vast range of chevron belting as per the specifications listed below. If you have any queries or the belt you require isn't listed, please get in touch as we may still be able to help.



ENLARGED BELTING VISUAL

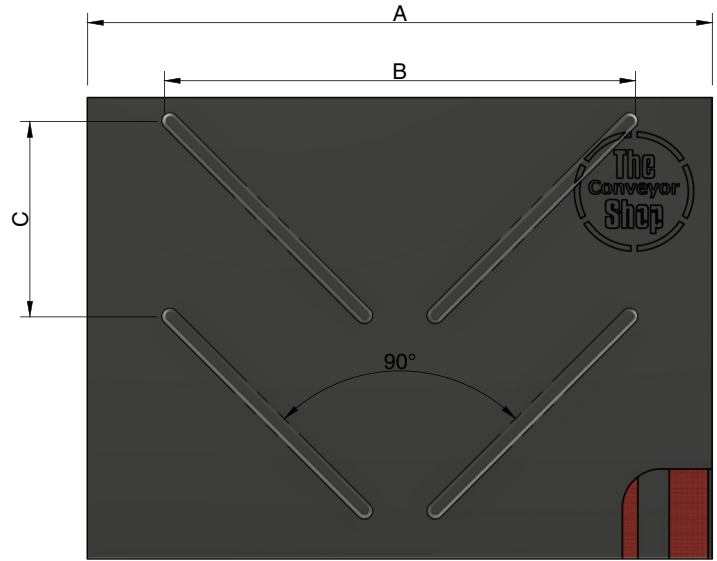
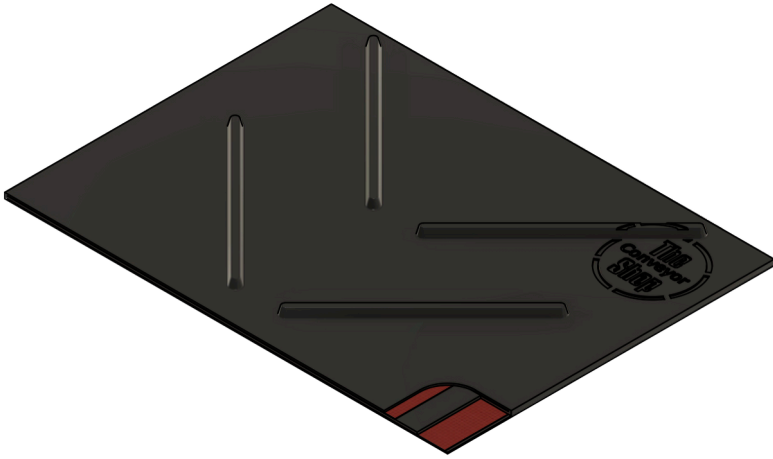


PROFILE VISUAL

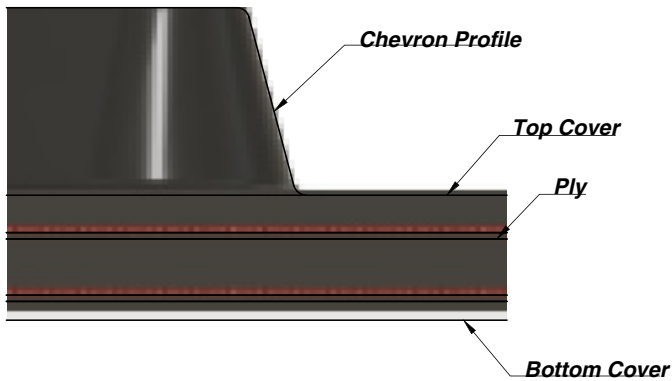


C15 P385 CHEVRON BELTING (DIN 22.102, ± DIN "Y")							
Name/Product Code	Top Cover	Bottom Cover	No. of Ply's	Available Belt Widths (A)	Cleat Width (B)	Cleat Pitch (C)	Price / m ²
EP 250 / 2 - 3 + 1 1/2mm	3mm	1 1/2mm	2	500-650mm	450mm	385mm	£41.75
EP 400 / 3 - 3 + 1 1/2mm	3mm	1 1/2mm	3	500-650mm	450mm	385mm	£45.98

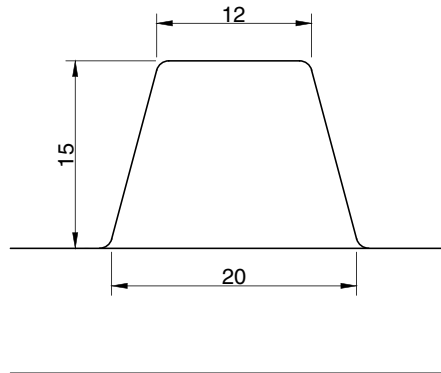
We offer a vast range of chevron belting as per the specifications listed below. If you have any queries or the belt you require isn't listed, please get in touch as we may still be able to help.



ENLARGED BELTING VISUAL



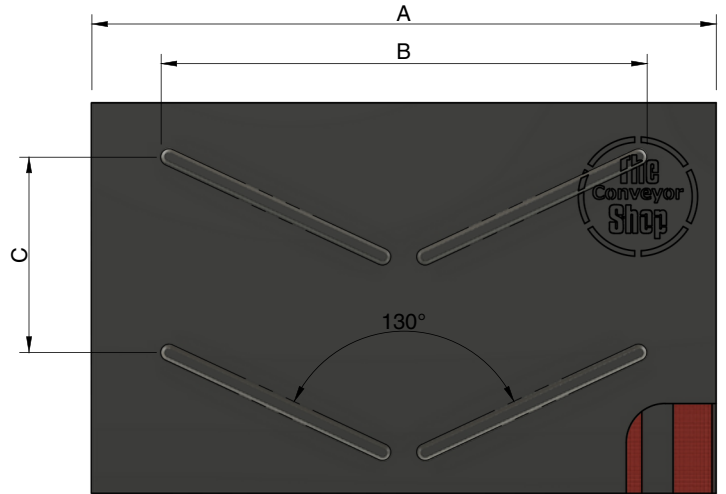
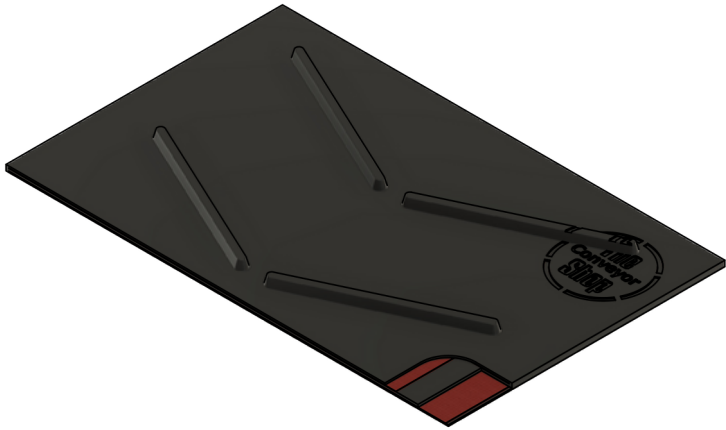
PROFILE VISUAL



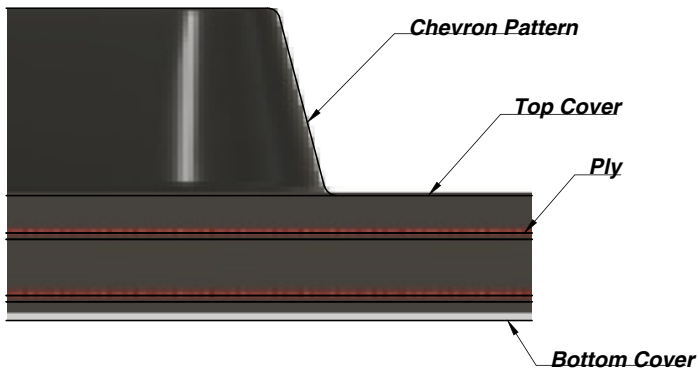
C15 P600 CHEVRON BELTING (DIN 22.102, ± DIN "Y")							
Name/Product Code	Top Cover	Bottom Cover	No. of Ply's	Available Belt Widths (A)	Cleat Width (B)	Cleat Pitch (C)	Price / m ²
EP 250 / 2 - 3 + 1 1/2mm	3mm	1 1/2mm	2	800mm	600mm	250mm	£41.75
EP 400 / 3 - 3 + 1 1/2mm	3mm	1 1/2mm	3	800-1000mm	600mm	250mm	£45.98

OIL RESISTANT C15 P600 CHEVRON BELTING (OIL "G" / "ROS")							
Name/Product Code	Top Cover	Bottom Cover	No. of Ply's	Available Belt Widths (A)	Cleat Width (B)	Cleat Pitch (C)	Price / m ²
EP 400 / 3 - 3 + 1mm	3mm	1mm	3	800mm	600mm	250mm	£75.35

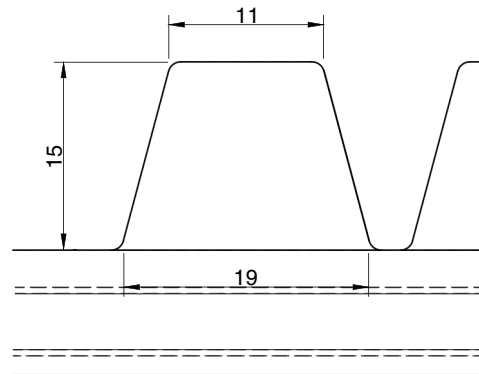
We offer a vast range of chevron belting as per the specifications listed below. If you have any queries or the belt you require isn't listed, please get in touch as we may still be able to help.



ENLARGED BELTING VISUAL

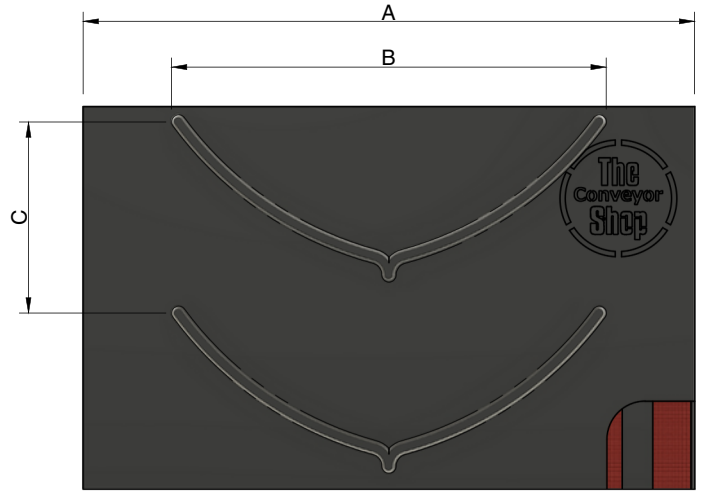
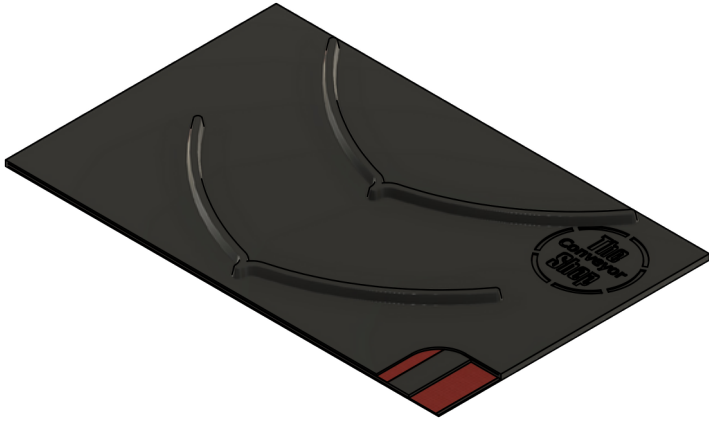


PROFILE VISUAL

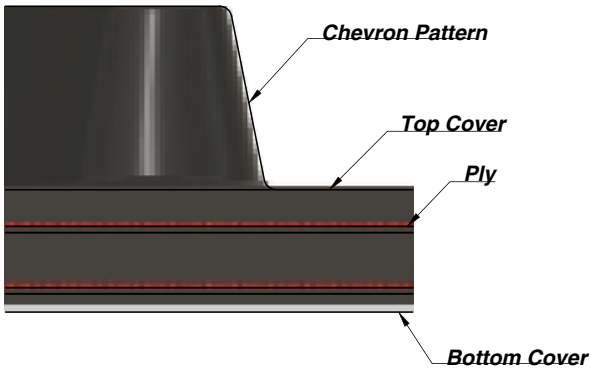


C15 P750 CHEVRON BELTING (DIN 22.102, ± DIN "Y")							
Name/Product Code	Top Cover	Bottom Cover	No. of Ply's	Available Belt Widths (A)	Cleat Width (B)	Cleat Pitch (C)	Price / m ²
EP 250 / 2 - 3 + 1 1/2mm	3mm	1 1/2mm	2	1000mm	750mm	250mm	£41.75
EP 400 / 3 - 3 + 1 1/2mm	3mm	1 1/2mm	3	1000- 1200mm	750mm	250mm	£45.98

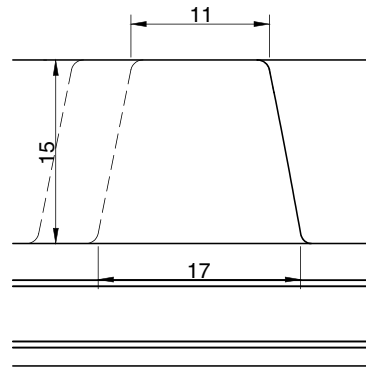
We offer a vast range of chevron belting as per the specifications listed below. If you have any queries or the belt you require isn't listed, please get in touch as we may still be able to help.



ENLARGED BELTING VISUAL

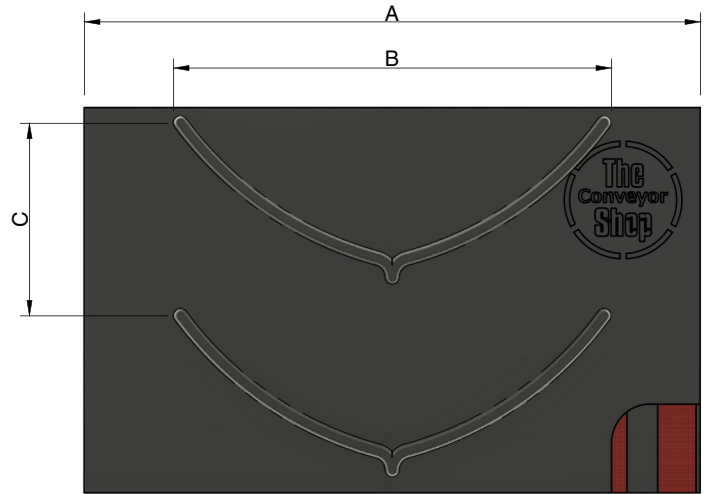
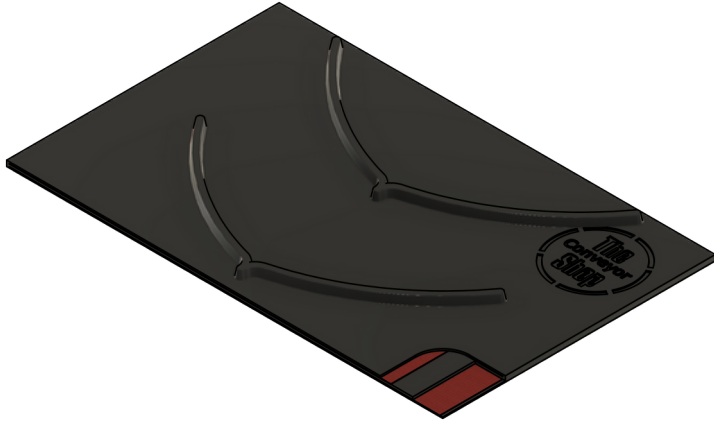


PROFILE VISUAL

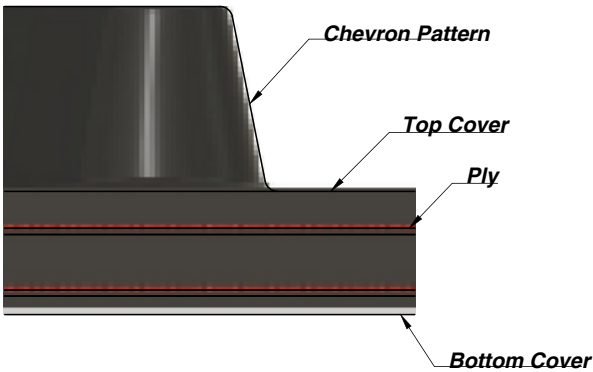


U15 P550 CHEVRON BELTING (DIN 22.102, ± DIN "Y")							
Name/Product Code	Top Cover	Bottom Cover	No. of Ply's	Available Belt Widths (A)	Cleat Width (B)	Cleat Pitch (C)	Price / m ²
EP 400 / 3 - 3 + 1mm	3mm	3mm	3	650-800mm	550mm	250mm	£64.74

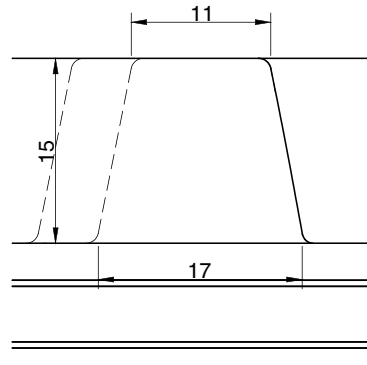
We offer a vast range of chevron belting as per the specifications listed below. If you have any queries or the belt you require isn't listed, please get in touch as we may still be able to help.



ENLARGED BELTING VISUAL

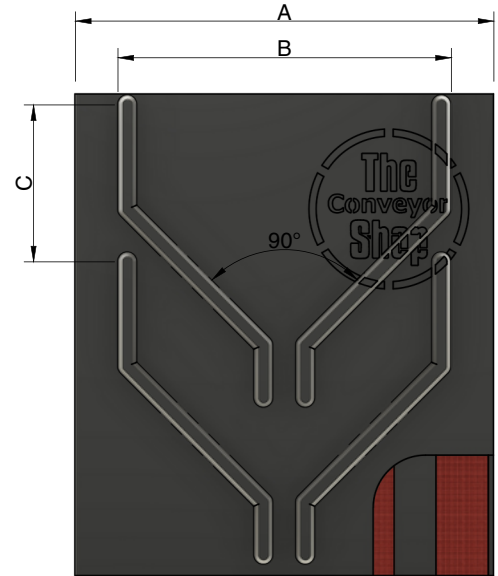


PROFILE VISUAL

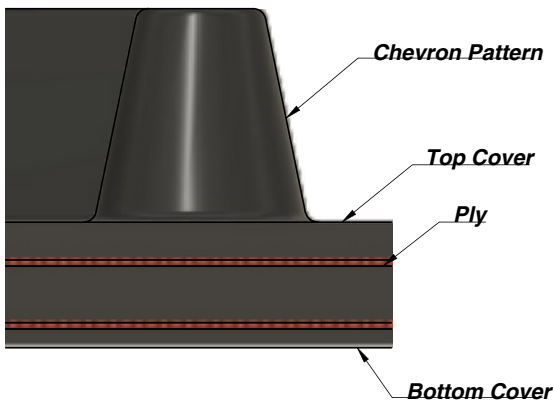


U15 P700 CHEVRON BELTING (DIN 22.102, ±DIN "Y")							
Name/Product Code	Top Cover	Bottom Cover	No. of Ply's	Available Belt Widths (A)	Cleat Width (B)	Cleat Pitch (C)	Price / m ²
EP 400 / 3 - 3 + 1mm	3mm	1mm	3	800-1000mm	700mm	250mm	£64.74

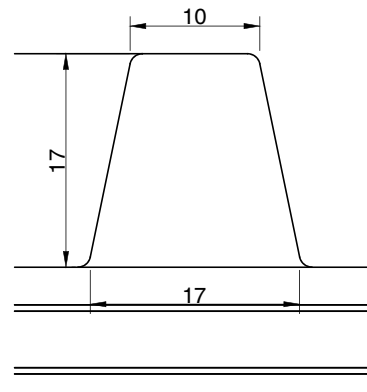
We offer a vast range of chevron belting as per the specifications listed below. If you have any queries or the belt you require isn't listed, please get in touch as we may still be able to help.



ENLARGED BELTING VISUAL

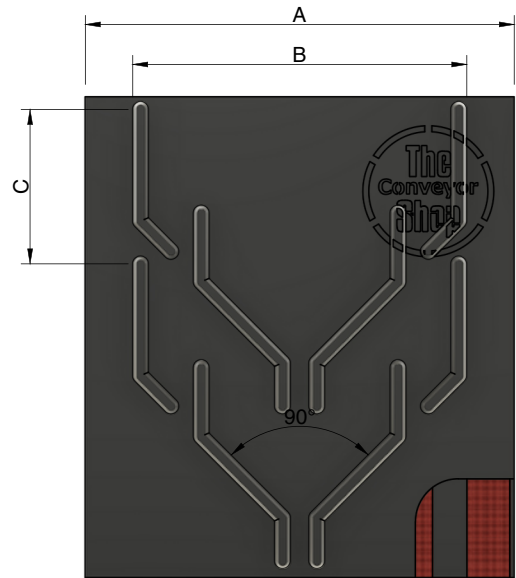


PROFILE VISUAL

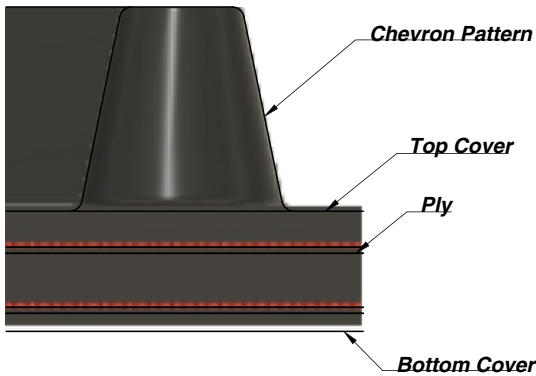


L30 CHEVRON BELTING (DIN 22.102, ±DIN "Y")							
Name/Product Code	Top Cover	Bottom Cover	No. of Ply's	Available Belt Widths (A)	Cleat Width (B)	Cleat Pitch (C)	Price / m ²
EP 250 / 2 - 3 + 1mm	2mm	1mm	2	400 - 500mm	300mm	330mm	£45.16
EP 400 / 3 - 3 + 1mm	3mm	1mm	3	400 - 500mm	300mm	330mm	£50.22

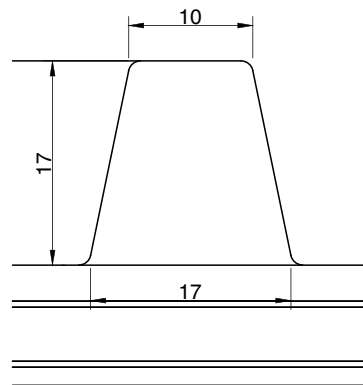
We offer a vast range of chevron belting as per the specifications listed below. If you have any queries or the belt you require isn't listed, please get in touch as we may still be able to help.



ENLARGED BELTING VISUAL



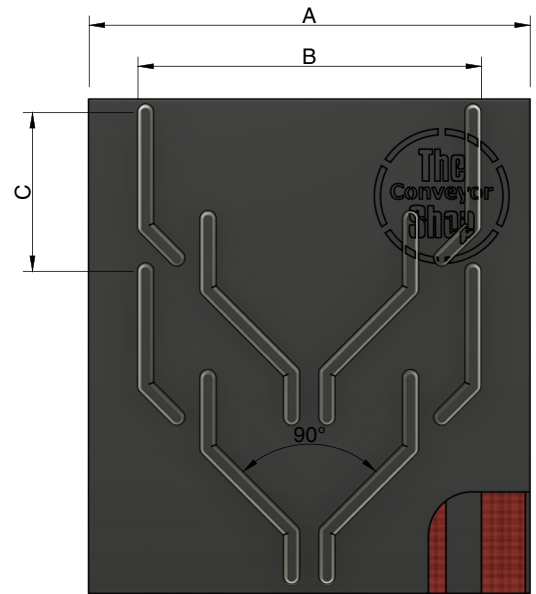
PROFILE VISUAL



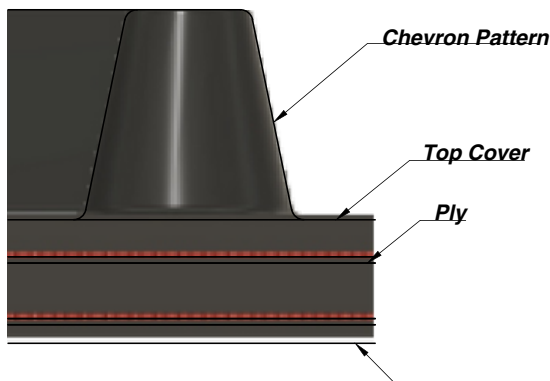
L44 CHEVRON BELTING (DIN 22.102, ± din "Y")							
Name/Product Code	Top Cover	Bottom Cover	No. of Ply's	Available Belt Widths (A)	Cleat Width (B)	Cleat Pitch (C)	Price / m ²
EP 250 / 2 - 3 + 1mm	2mm	1mm	2	500 - 650mm	440mm	330mm	£45.16
EP 400 / 3 - 3 + 1mm	3mm	1mm	3	500 - 800mm	440mm	330mm	£50.22

L30 CHEVRON BELTING (DIN 22.102, ±DIN "Y")							
Name/Product Code	Top Cover	Bottom Cover	No. of Ply's	Available Belt Widths (A)	Cleat Width (B)	Cleat Pitch (C)	Price / m ²
EP 400 / 3 - 3 + 1mm	3mm	1mm	3	500mm	440mm	330mm	£47.52
EP 400 / 3 - 3 + 1mm	3mm	1mm	3	600mm	440mm	330mm	£57.04
EP 400 / 3 - 3 + 1mm	3mm	1mm	3	650mm	440mm	330mm	£61.82

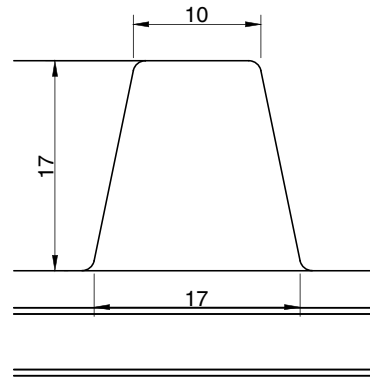
We offer a vast range of chevron belting as per the specifications listed below. If you have any queries or the belt you require isn't listed, please get in touch as we may still be able to help.



ENLARGED BELTING VISUAL

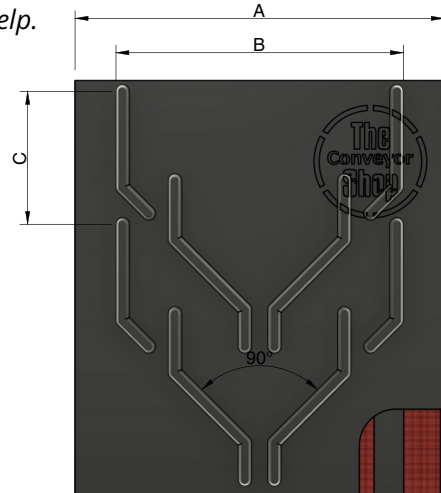
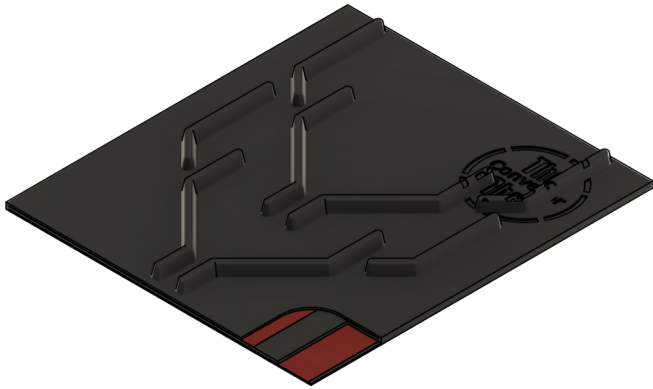


PROFILE VISUAL

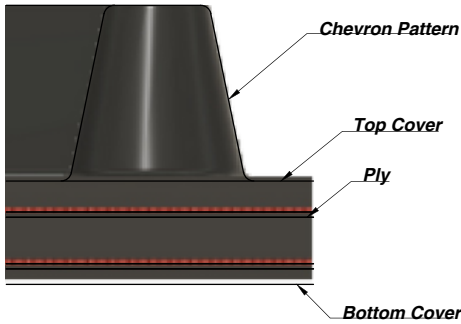


L55 CHEVRON BELTING (DIN 22.102, ± DIN "Y")							
Name/Product Code	Top Cover	Bottom Cover	No. of Ply's	Available Belt Widths (A)	Cleat Width (B)	Cleat Pitch (C)	Price / m ²
EP 250 / 2 - 3 + 1mm	2mm	1mm	2	650 - 800mm	550mm	330mm	£45.16
EP 400 / 3 - 3 + 1mm	3mm	1mm	3	500 - 800mm	550mm	330mm	£50.22

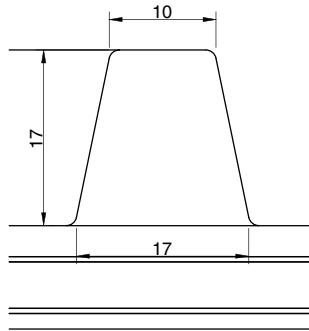
We offer a vast range of chevron belting as per the specifications listed below. If you have any queries or the belt you require isn't listed, please get in touch as we may still be able to help.



ENLARGED BELTING VISUAL



PROFILE VISUAL



L63 CHEVRON BELTING (DIN 22.102, ± DIN "Y")

Name/Product Code	Top Cover	Bottom Cover	No. of Ply's	Available Belt Widths (A)	Cleat Width (B)	Cleat Pitch (C)	Price / m ²
EP 250 / 2 - 3 + 1mm	2mm	1mm	2	650 - 800mm	630mm	330mm	£45.16
EP 400 / 3 - 3 + 1mm	3mm	1mm	3	650 - 1000mm	630mm	330mm	£50.22

OIL RESISTANT BELT L63 CHEVRON BELTING (OIL "G" / "ROS")

Name/Product Code	Top Cover	Bottom Cover	No. of Ply's	Available Belt Widths (A)	Cleat Width (B)	Cleat Pitch (C)	Price / m ²
EP 400 / 3 - 3 + 0mm	3mm	1mm	3	800mm	630mm	330mm	£76.12
EP 400 / 3 - 3 + 0mm	3mm	1mm	3	1000mm	630mm	330mm	£94.99

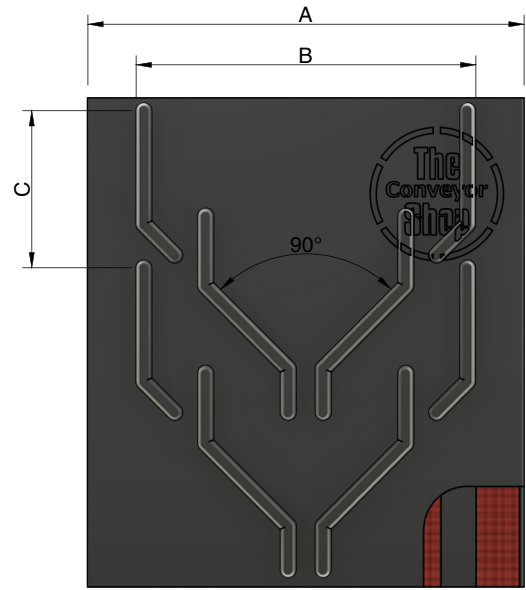
L63 GLIDE BELT (DIN 22.102, ± DIN "Y")

Name/Product Code	Top Cover	Bottom Cover	No. of Ply's	Available Belt Widths (A)	Cleat Width (B)	Cleat Pitch (C)	Price / m ²
EP 400 / 3 - 3 + 0mm	3mm	0mm	3	800mm	630mm	330mm	£53.35

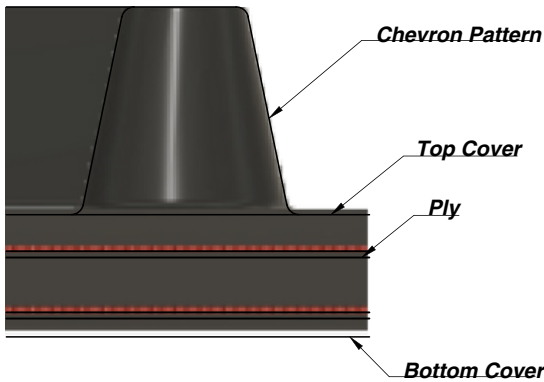
OIL RESISTANT L63 CHEVRON BELTING (DIN 22.102, ± DIN "Y")

Name/Product Code	Top Cover	Bottom Cover	No. of Ply's	Available Belt Widths (A)	Cleat Width (B)	Cleat Pitch (C)	Price / m ²
EP 400 / 3 - 3 + 0mm	3mm	0mm	3	800mm	630mm	330mm	£66.22

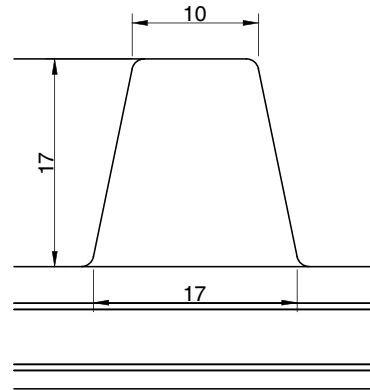
We offer a vast range of chevron belting as per the specifications listed below. If you have any queries or the belt you require isn't listed, please get in touch as we may still be able to help.



ENLARGED BELTING VISUAL



PROFILE VISUAL

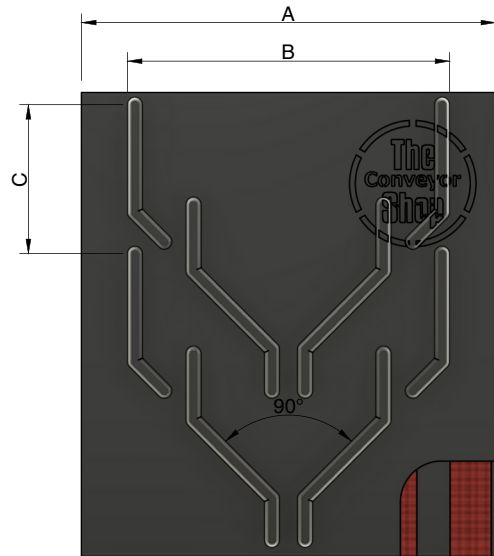
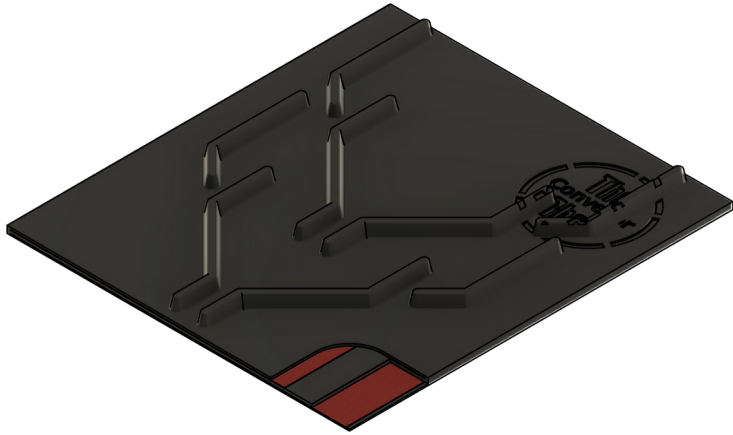


L75 CHEVRON BELTING (DIN 22.102, ± DIN "Y")							
Name/Product Code	Top Cover	Bottom Cover	No. of Ply's	Available Belt Widths (A)	Cleat Width (B)	Cleat Pitch (C)	Price / m ²
EP 250 / 2 - 3 + 1mm	2mm	1mm	2	800 - 1000mm	630mm	330mm	£45.16
EP 400 / 3 - 3 + 1mm	3mm	1mm	3	800 - 1000mm	630mm	330mm	£50.22

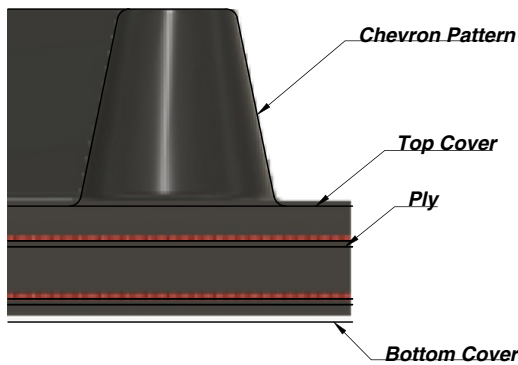
L75 GLIDE BELT (DIN 22.102, ± DIN "Y")							
Name/Product Code	Top Cover	Bottom Cover	No. of Ply's	Available Belt Widths (A)	Cleat Width (B)	Cleat Pitch (C)	Price / m ²
EP 400 / 3 - 3 + 0mm	3mm	1mm	3	1000mm	750mm	330mm	£66.66

OIL RESISTANT L75 GLIDE BELT (OIL "G" / "ROS")							
Name/Product Code	Top Cover	Bottom Cover	No. of Ply's	Available Belt Widths (A)	Cleat Width (B)	Cleat Pitch (C)	Price / m ²
EP 400 / 3 - 3 + 0mm	3mm	1mm	3	1000mm	750mm	330mm	£83.27

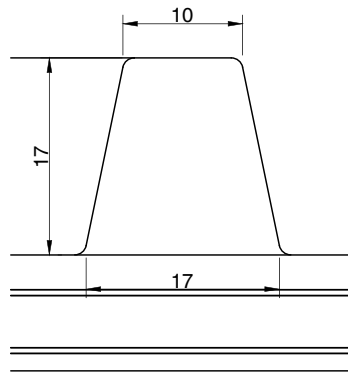
We offer a vast range of chevron belting as per the specifications listed below. If you have any queries or the belt you require isn't listed, please get in touch as we may still be able to help.



ENLARGED BELTING VISUAL



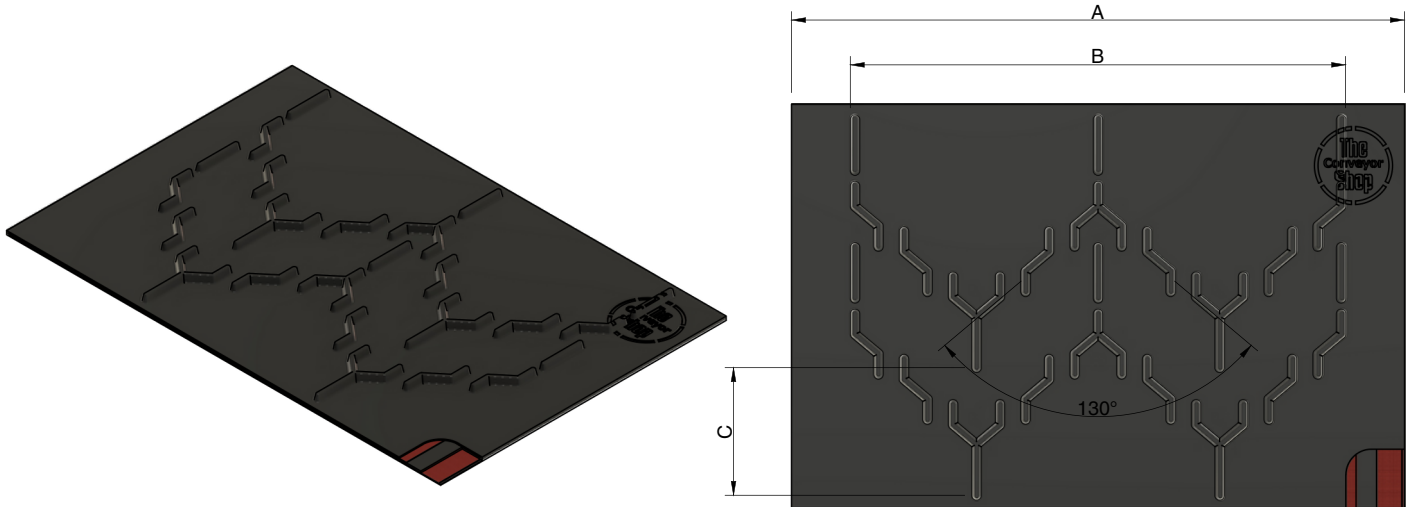
PROFILE VISUAL



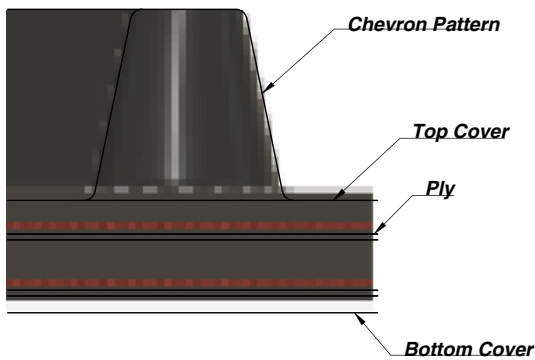
L95 CHEVRON BELTING (DIN 22.102, ± DIN "Y")							
Name/Product Code	Top Cover	Bottom Cover	No. of Ply's	Available Belt Widths (A)	Cleat Width (B)	Cleat Pitch (C)	Price / m ²
EP 250 / 2 - 3 + 1mm	2mm	1mm	2	1000 - 1200mm	950mm	330mm	£45.16
EP 400 / 3 - 3 + 1mm	3mm	1mm	3	1000 - 1200mm	950mm	330mm	£50.22

OIL RESISTANT BELT L95 CHEVRON BELTING (OIL "G" / "ROS")							
Name/Product Code	Top Cover	Bottom Cover	No. of Ply's	Available Belt Widths (A)	Cleat Width (B)	Cleat Pitch (C)	Price / m ²
EP 400 / 3 - 3 + 1mm	3mm	1mm	3	1200mm	950mm	330mm	£114.07

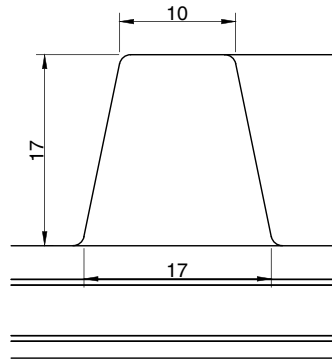
We offer a vast range of chevron belting as per the specifications listed below. If you have any queries or the belt you require isn't listed, please get in touch as we may still be able to help.



ENLARGED BELTING VISUAL



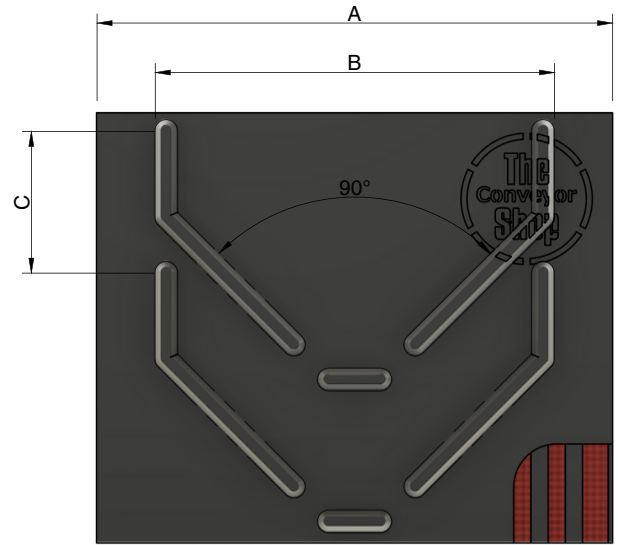
PROFILE VISUAL



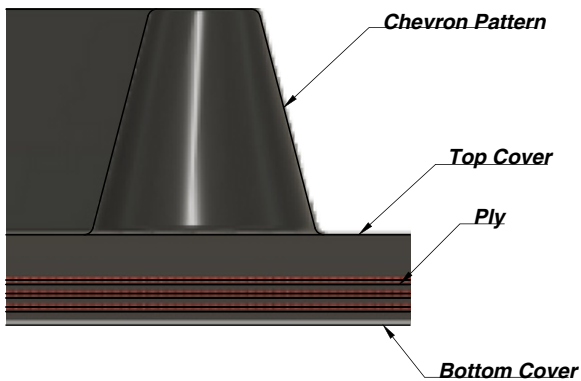
L129 CHEVRON BELTING (DIN 22.102, ± DIN "Y")							
Name/Product Code	Top Cover	Bottom Cover	No. of Ply's	Available Belt Widths (A)	Cleat Width (B)	Cleat Pitch (C)	Price / m ²
EP 400 / 3 - 3 + 1mm	3mm	1mm	3	1400mm	1290mm	330mm	£106.92

OIL RESISTANT BELT L129 CHEVRON BELTING (OIL "G" / "ROS")							
Name/Product Code	Top Cover	Bottom Cover	No. of Ply's	Available Belt Widths (A)	Cleat Width (B)	Cleat Pitch (C)	Price / m ²
EP 400 / 3 - 3 + 1mm	3mm	1mm	3	1400mm	1290mm	330mm	£142.95

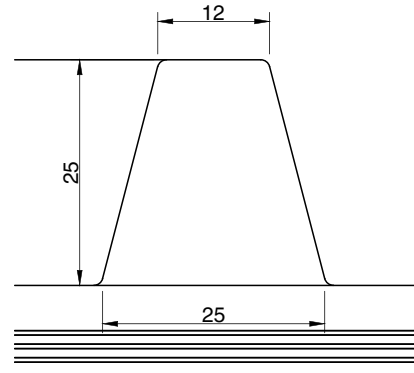
We offer a vast range of chevron belting as per the specifications listed below. If you have any queries or the belt you require isn't listed, please get in touch as we may still be able to help.



ENLARGED BELTING VISUAL



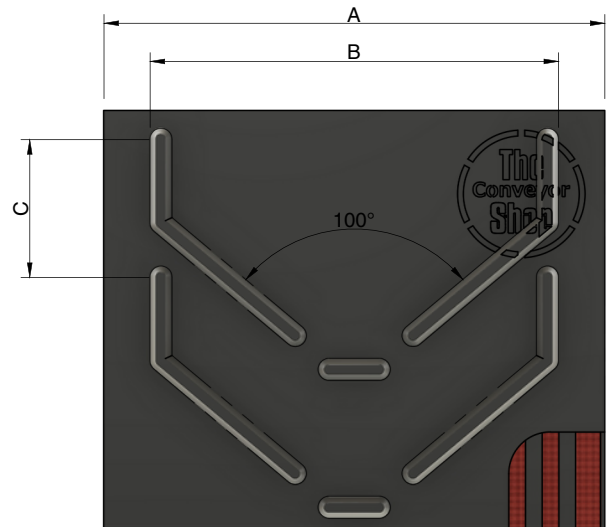
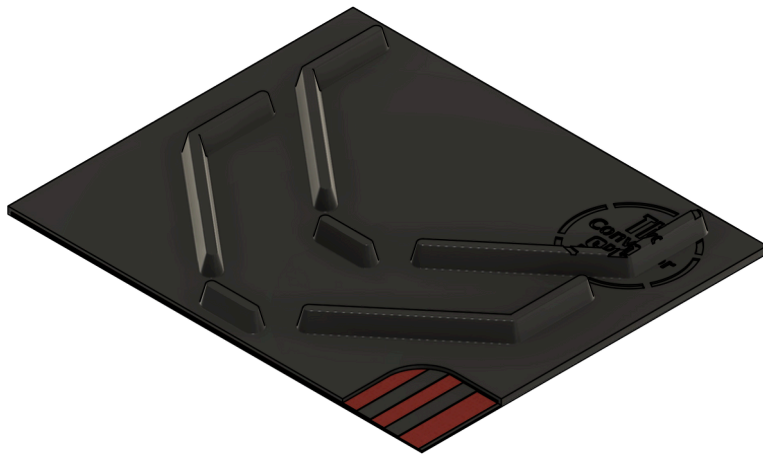
PROFILE VISUAL



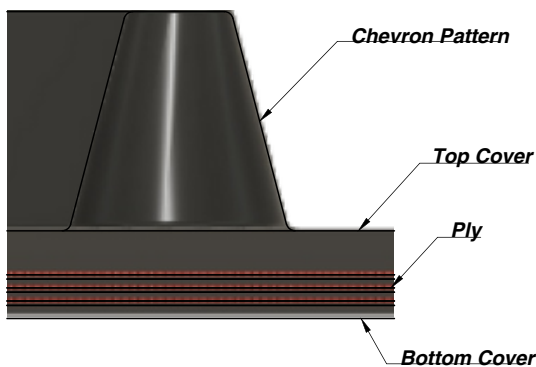
C25 P450 CHEVRON BELTING (DIN 22.102, ± DIN "Y")							
Name/Product Code	Top Cover	Bottom Cover	No. of Ply's	Available Belt Widths (A)	Cleat Width (B)	Cleat Pitch (C)	Price / m ²
EP 250 / 2 - 3 + 1 1/2mm	3mm	1 1/2mm	2	600 - 650mm	450mm	330mm	£52.69
EP 400 / 3 - 3 + 1 1/2mm	3mm	1 1/2mm	3	600 - 650mm	450mm	330mm	£58.08

GLIDE BELT C25 P450 CHEVRON BELTING (DIN 22.102, ± DIN "Y")							
Name/Product Code	Top Cover	Bottom Cover	No. of Ply's	Available Belt Widths (A)	Cleat Width (B)	Cleat Pitch (C)	Price / m ²
EP 250 / 2 - 3 + 1 1/2mm	3mm	1 1/2mm	2	600 - 650mm	450mm	330mm	POA
EP 400 / 3 - 3 + 1 1/2mm	3mm	1 1/2mm	3	600 - 650mm	450mm	330mm	POA

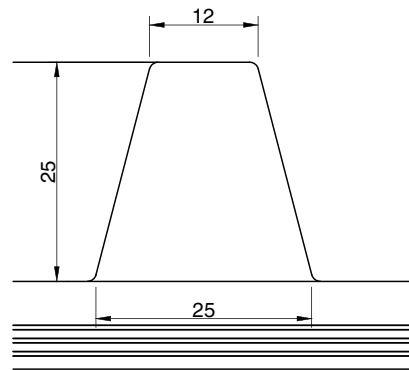
We offer a vast range of chevron belting as per the specifications listed below. If you have any queries or the belt you require isn't listed, please get in touch as we may still be able to help.



ENLARGED BELTING VISUAL



PROFILE VISUAL



C25 P550 CHEVRON BELTING (DIN 22.102, ± DIN "Y")

Name/Product Code	Top Cover	Bottom Cover	No. of Ply's	Available Belt Widths (A)	Cleat Width (B)	Cleat Pitch (C)	Price / m ²
EP 250 / 2 - 3 + 1 1/2mm	3mm	1 1/2mm	2	650mm	550mm	330mm	£52.69
EP 400 / 3 - 3 + 1 1/2mm	3mm	1 1/2mm	3	650 - 800mm	550mm	330mm	£58.08

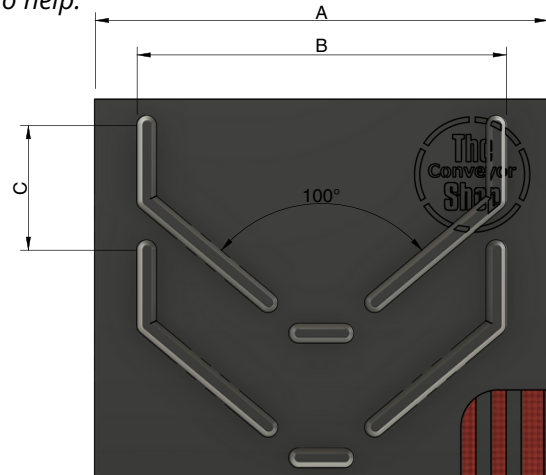
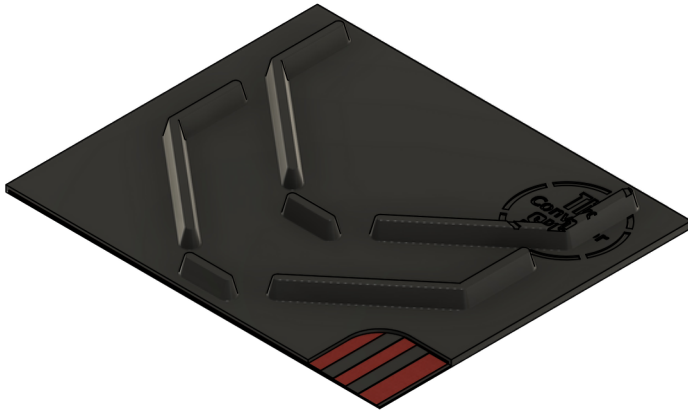
C25 P550 GLIDE BELT (DIN 22.102, ± DIN "Y")

Name/Product Code	Top Cover	Bottom Cover	No. of Ply's	Available Belt Widths (A)	Cleat Width (B)	Cleat Pitch (C)	Price / m ²
EP 400 / 3 - 3 + 0mm	3mm	0mm	3	800mm	550mm	330mm	£58.85

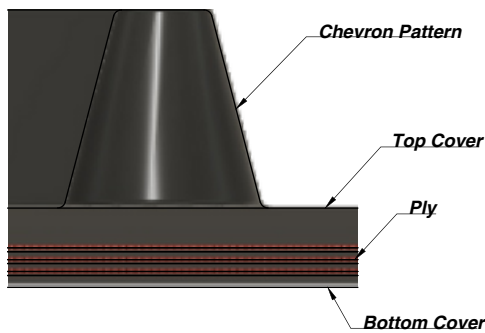
OIL RESISTANT C25 P550 GLIDE BELT (DIN 22.102, ± DIN "Y")

Name/Product Code	Top Cover	Bottom Cover	No. of Ply's	Available Belt Widths (A)	Cleat Width (B)	Cleat Pitch (C)	Price / m ²
EP 400 / 3 - 3 + 0mm	3mm	0mm	3	800mm	550mm	330mm	£88.00

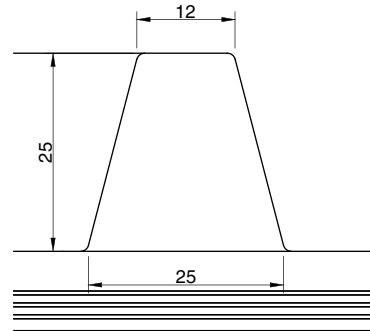
We offer a vast range of chevron belting as per the specifications listed below. If you have any queries or the belt you require isn't listed, please get in touch as we may still be able to help.



ENLARGED BELTING VISUAL



PROFILE VISUAL



C25 P750 CHEVRON BELTING (DIN 22.102, ± DIN "Y")

Name/Product Code	Top Cover	Bottom Cover	No. of Ply's	Available Belt Widths (A)	Cleat Width (B)	Cleat Pitch (C)	Price / m ²
EP 400 / 3 - 3 + 1 1/2mm	3mm	1 1/2mm	3	1000 - 1200mm	750mm	330mm	£58.08

OIL RESISTANT C25 P750 CHEVRON BELTING (DIN 22.102, ± DIN "Y")

Name/Product Code	Top Cover	Bottom Cover	No. of Ply's	Available Belt Widths (A)	Cleat Width (B)	Cleat Pitch (C)	Price / m ²
EP 400 / 3 - 3 + 1mm	3mm	1mm	3	1000mm	750mm	330mm	£105.88
EP 400 / 3 - 3 + 1mm	3mm	1mm	3	1200mm	750mm	330mm	£126.39

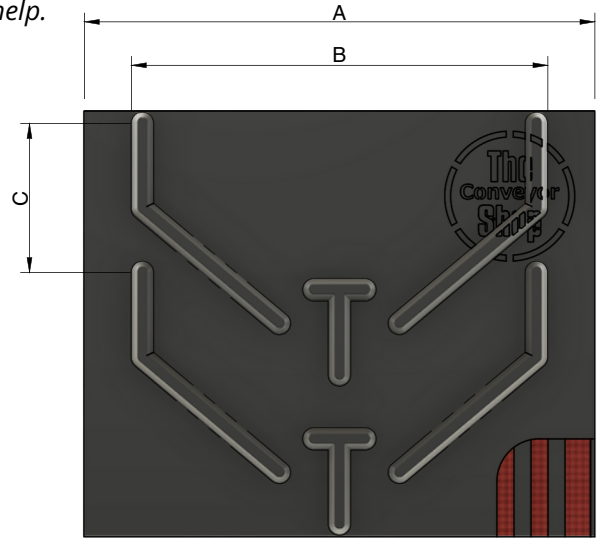
GLIDE BELT C25 P750 CHEVRON BELTING (DIN 22.102, ± DIN "Y")

Name/Product Code	Top Cover	Bottom Cover	No. of Ply's	Available Belt Widths (A)	Cleat Width (B)	Cleat Pitch (C)	Price / m ²
EP 400 / 3 - 3 + 1mm	3mm	1mm	3	1000mm	750mm	330mm	£73.81

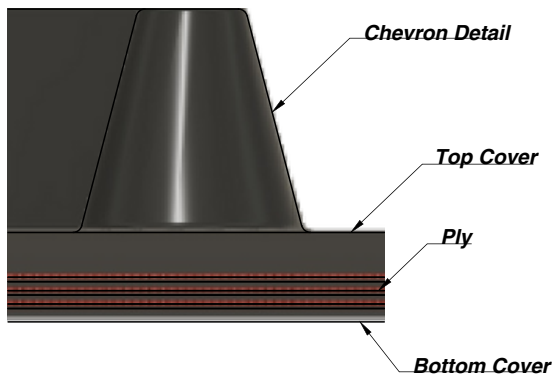
C25 P750 CHEVRON BELTING (DIN 22.102, ± DIN "Y")

Name/Product Code	Top Cover	Bottom Cover	No. of Ply's	Available Belt Widths (A)	Cleat Width (B)	Cleat Pitch (C)	Price / m ²
EP 400 / 3 - 3 + 1mm	3mm	1mm	3	1000mm	750mm	330mm	£110.55

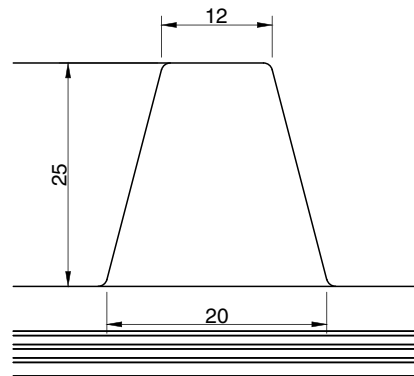
We offer a vast range of chevron belting as per the specifications listed below. If you have any queries or the belt you require isn't listed, please get in touch as we may still be able to help.



ENLARGED BELTING VISUAL



PROFILE VISUAL

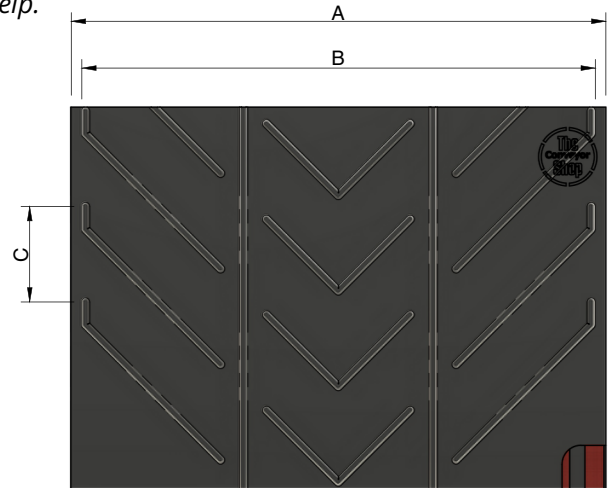
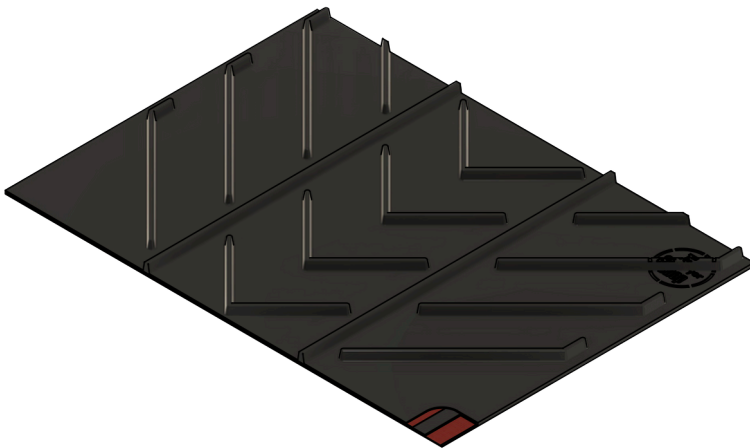


C25 P1000 CHEVRON BELTING (DIN 22.102, ± DIN "Y")							
Name/Product Code	Top Cover	Bottom Cover	No. of Ply's	Available Belt Widths (A)	Cleat Width (B)	Cleat Pitch (C)	Price / m ²
EP 400 / 3 - 3 + 2mm	3mm	2mm	3	1400 - 1600mm	1000mm	400mm	£86.24
EP 500 / 4 - 3 + 2mm	3mm	2mm	3	1400 - 1600mm	1000mm	400mm	£103.40

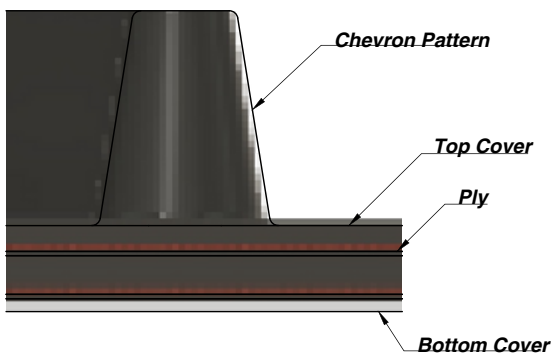
C25 P1000 GLIDE BELT (DIN 22.102, ± DIN "Y")							
Name/Product Code	Top Cover	Bottom Cover	No. of Ply's	Available Belt Widths (A)	Cleat Width (B)	Cleat Pitch (C)	Price / m ²
EP 400 / 3 - 3 + 0mm	3mm	0mm	3	1400mm	1000mm	400mm	£109.95

OIL RESISTANT C25 P1000 GLIDE BELT (DIN 22.102, ± DIN "Y")							
Name/Product Code	Top Cover	Bottom Cover	No. of Ply's	Available Belt Widths (A)	Cleat Width (B)	Cleat Pitch (C)	Price / m ²
EP 400 / 3 - 3 + 0mm	3mm	0mm	3	1400 - 1600mm	1000mm	400mm	£138.27

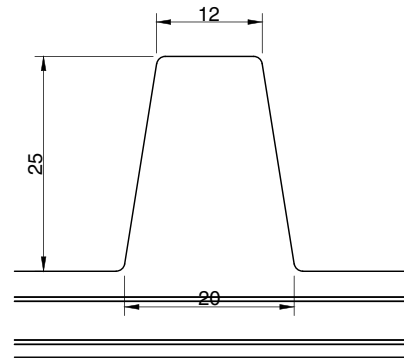
We offer a vast range of chevron belting as per the specifications listed below. If you have any queries or the belt you require isn't listed, please get in touch as we may still be able to help.



ENLARGED BELTING VISUAL



PROFILE VISUAL



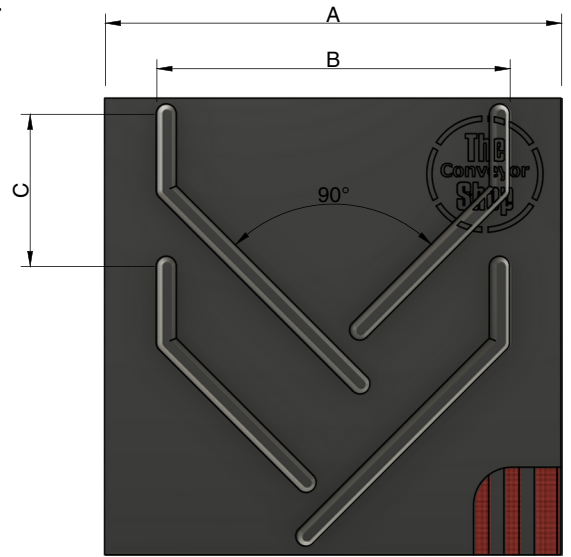
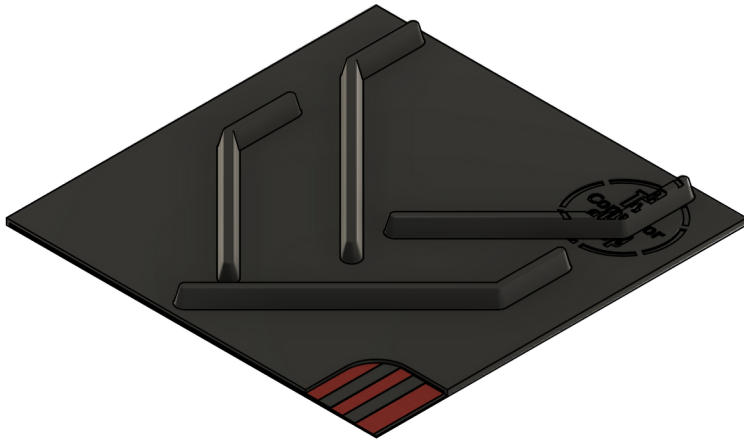
C25 P1335 CHEVRON BELTING (DIN 22.102, ± DIN "Y")							
Name/Product Code	Top Cover	Bottom Cover	No. of Ply's	Available Belt Widths (A)	Cleat Width (B)	Cleat Pitch (C)	Price / m ²
EP 400 / 3 - 3 + 2mm	3mm	2mm	3	1400 - 1600mm	1335mm	500mm	£117.98

OIL RESISTANT C25 P1335 CHEVRON BELTING (DIN 22.102, ± DIN "Y")							
Name/Product Code	Top Cover	Bottom Cover	No. of Ply's	Available Belt Widths (A)	Cleat Width (B)	Cleat Pitch (C)	Price / m ²
EP 400 / 3 - 3 + 2mm	3mm	2mm	3	1400mm	1335mm	500mm	£185.46

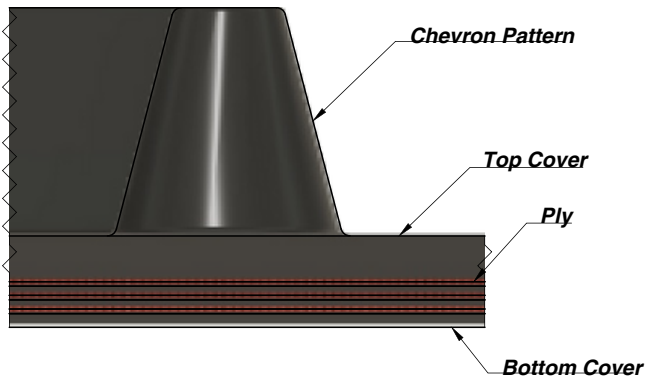
C25 P1335 GLIDE BELT (DIN 22.102, ± DIN "Y")							
Name/Product Code	Top Cover	Bottom Cover	No. of Ply's	Available Belt Widths (A)	Cleat Width (B)	Cleat Pitch (C)	Price / m ²
EP 400 / 3 - 3 + 0mm	3mm	0mm	3	1600mm	1335mm	500mm	£197.78

OIL RESISTANT C25 P1335 GLIDE BELT (DIN 22.102, ± DIN "Y")							
Name/Product Code	Top Cover	Bottom Cover	No. of Ply's	Available Belt Widths (A)	Cleat Width (B)	Cleat Pitch (C)	Price / m ²
EP 400 / 3 - 3 + 0mm	3mm	0mm	3	1400mm	1335mm	500mm	£259.05

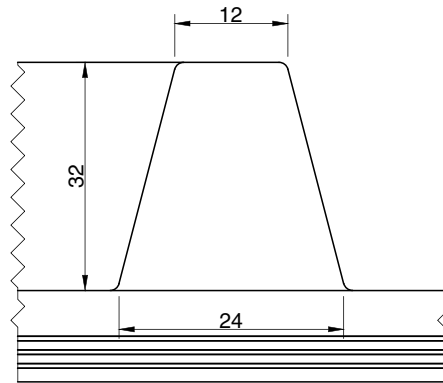
We offer a vast range of chevron belting as per the specifications listed below. If you have any queries or the belt you require isn't listed, please get in touch as we may still be able to help.



ENLARGED BELTING VISUAL



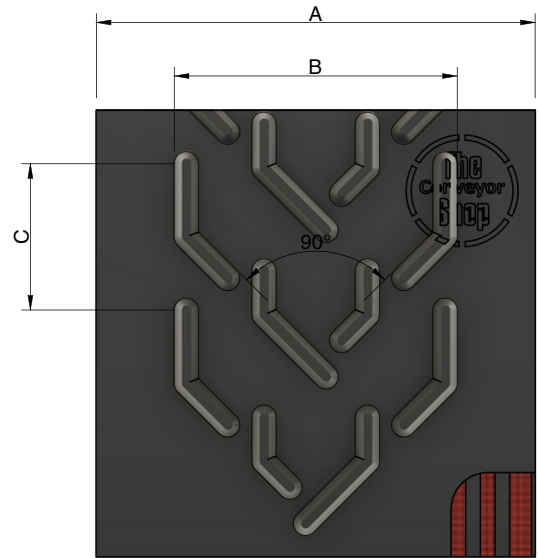
PROFILE VISUAL



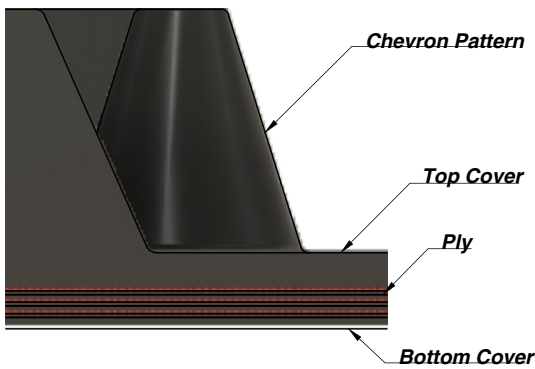
H46 CHEVRON BELTING (DIN 22.102, ± DIN "Y")							
Name/Product Code	Top Cover	Bottom Cover	No. of Ply's	Available Belt Widths (A)	Cleat Width (B)	Cleat Pitch (C)	Price / m ²
EP 250 / 2 - 3 + 1mm	3mm	1mm	2	500 - 650mm	460mm	330mm	£61.88
EP 400 / 3 - 3 + 1mm	3mm	1mm	3	500 - 650mm	460mm	330mm	£67.16

OIL RESISTANT H46 CHEVRON BELTING (DIN 22.102, ± DIN "Y")							
Name/Product Code	Top Cover	Bottom Cover	No. of Ply's	Available Belt Widths (A)	Cleat Width (B)	Cleat Pitch (C)	Price / m ²
EP 400 / 3 - 3 + 1mm	3mm	1mm	3	650mm	460mm	330mm	£72.55

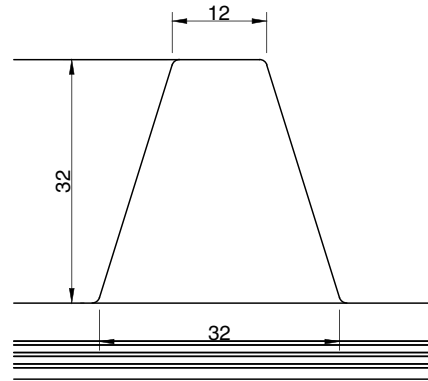
We offer a vast range of chevron belting as per the specifications listed below. If you have any queries or the belt you require isn't listed, please get in touch as we may still be able to help.



ENLARGED BELTING VISUAL



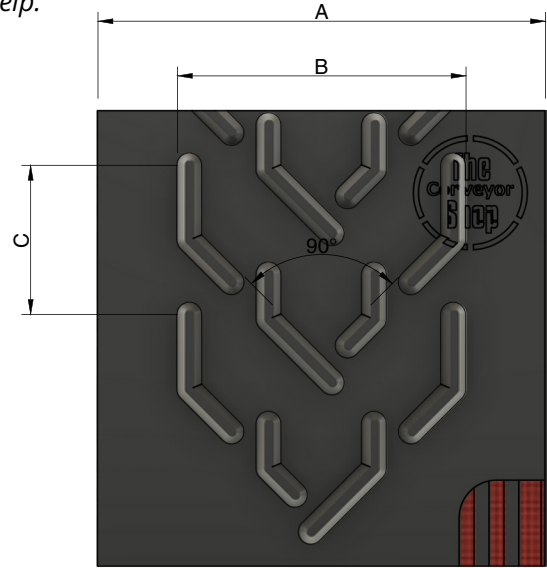
PROFILE VISUAL



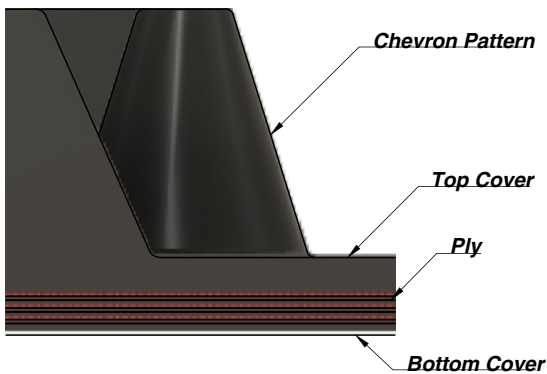
H58 CHEVRON BELTING (DIN 22.102, ± DIN "Y")							
Name/Product Code	Top Cover	Bottom Cover	No. of Ply's	Available Belt Widths (A)	Cleat Width (B)	Cleat Pitch (C)	Price / m ²
EP 250 / 2 - 3 + 1mm	3mm	1mm	2	600 - 650mm	580mm	330mm	£61.88
EP 400 / 3 - 3 + 1mm	3mm	1mm	3	650 - 800mm	580mm	330mm	£67.16

OIL RESISTANT H58 CHEVRON BELTING (DIN 22.102, ± DIN "Y")							
Name/Product Code	Top Cover	Bottom Cover	No. of Ply's	Available Belt Widths (A)	Cleat Width (B)	Cleat Pitch (C)	Price / m ²
EP 400 / 3 - 3 + 1mm	3mm	1mm	3	800mm	580mm	330mm	£89.32

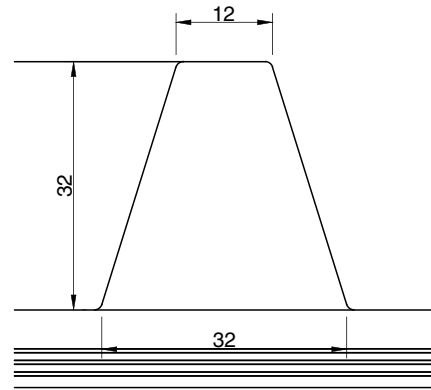
We offer a vast range of chevron belting as per the specifications listed below. If you have any queries or the belt you require isn't listed, please get in touch as we may still be able to help.



ENLARGED BELTING VISUAL



PROFILE VISUAL



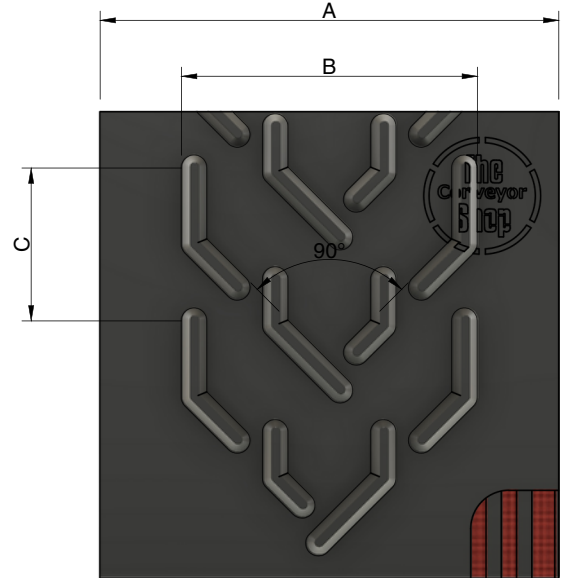
H63 CHEVRON BELTING (DIN 22.102, ± DIN "Y")

Name/Product Code	Top Cover	Bottom Cover	No. of Ply's	Available Belt Widths (A)	Cleat Width (B)	Cleat Pitch (C)	Price / m ²
EP 250 / 2 - 3 + 1mm	3mm	1mm	2	650mm	630mm	330mm	£61.88
EP 400 / 3 - 3 + 1mm	3mm	1mm	3	650 - 1000mm	950mm	330mm	£67.16

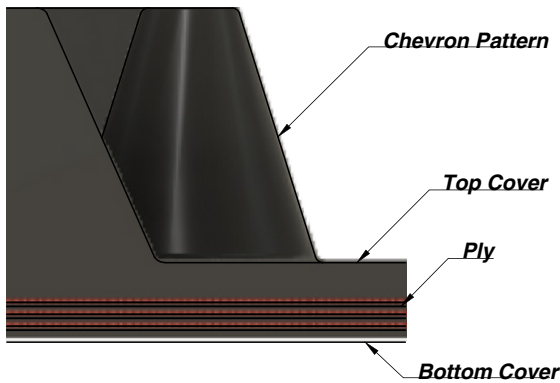
OIL RESISTANT H63 CHEVRON BELTING (DIN 22.102, ± DIN "Y")

Name/Product Code	Top Cover	Bottom Cover	No. of Ply's	Available Belt Widths (A)	Cleat Width (B)	Cleat Pitch (C)	Price / m ²
EP 400 / 3 - 3 + 1mm	3mm	1mm	3	800mm	630mm	330mm	£89.32
EP 400 / 3 - 3 + 1mm	3mm	1mm	3	1000mm	630mm	330mm	£111.65
EP 400 / 3 - 3 + 1mm	3mm	1mm	3	1200mm	630mm	330mm	£133.98

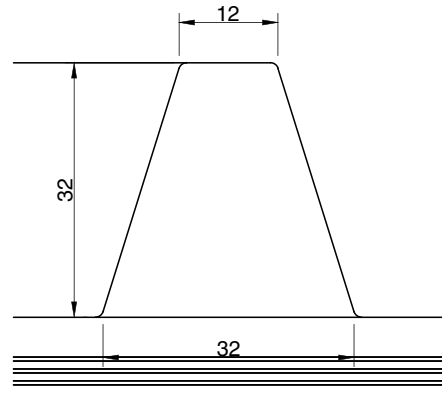
We offer a vast range of chevron belting as per the specifications listed below. If you have any queries or the belt you require isn't listed, please get in touch as we may still be able to help.



ENLARGED BELTING VISUAL



PROFILE VISUAL



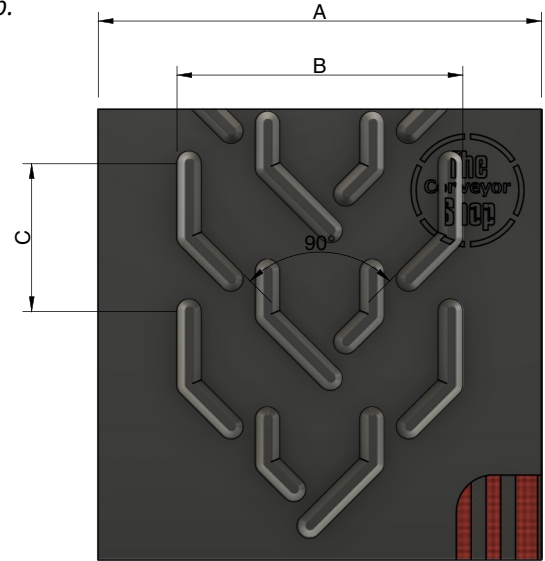
H75 CHEVRON BELTING (DIN 22.102, ± DIN "Y")

Name/Product Code	Top Cover	Bottom Cover	No. of Ply's	Available Belt Widths (A)	Cleat Width (B)	Cleat Pitch (C)	Price / m ²
EP 250 / 2 - 3 + 1mm	3mm	1mm	2	800 - 1200mm	750mm	330mm	£61.88
EP 400 / 3 - 3 + 1mm	3mm	1mm	3	800 - 1200mm	750mm	330mm	£67.16
EP 500 / 3 - 3 + 2mm	3mm	1mm	4	1200mm	750mm	330mm	£104.50

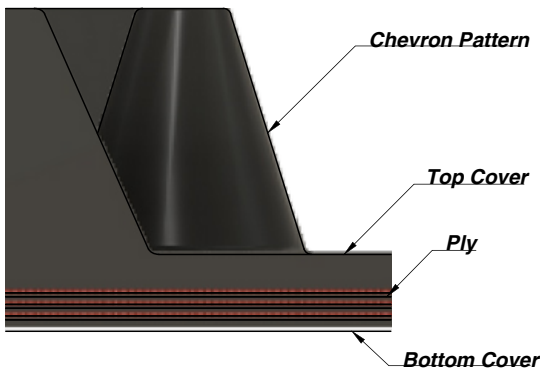
OIL RESISTANT H75 CHEVRON BELTING (DIN 22.102, ± DIN "Y")

Name/Product Code	Top Cover	Bottom Cover	No. of Ply's	Available Belt Widths (A)	Cleat Width (B)	Cleat Pitch (C)	Price / m ²
EP 400 / 3 - 3 + 1mm	3mm	1mm	3	1000mm	750mm	330mm	£111.65
EP 400 / 3 - 3 + 1mm	3mm	1mm	3	1200mm	750mm	330mm	£133.98

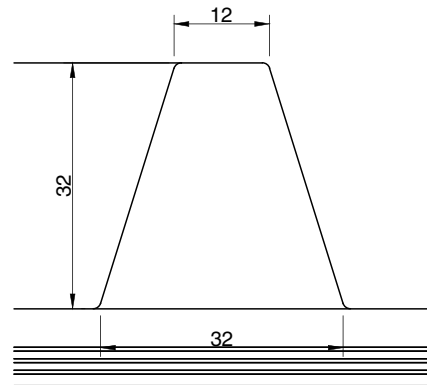
We offer a vast range of chevron belting as per the specifications listed below. If you have any queries or the belt you require isn't listed, please get in touch as we may still be able to help.



ENLARGED BELTING VISUAL



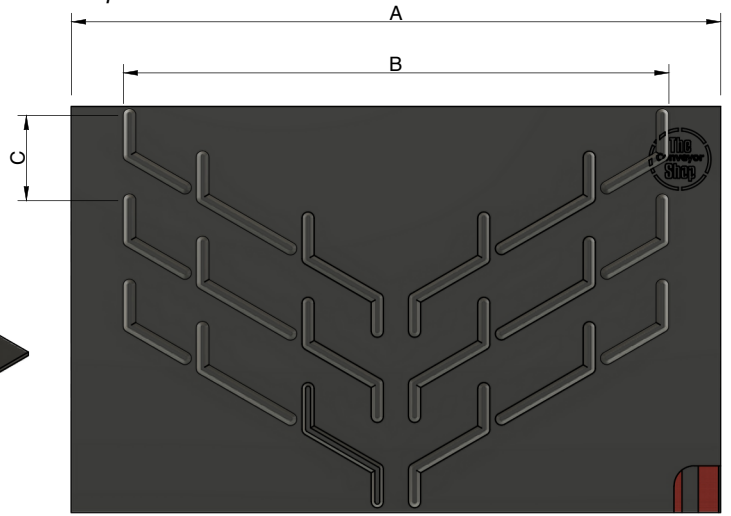
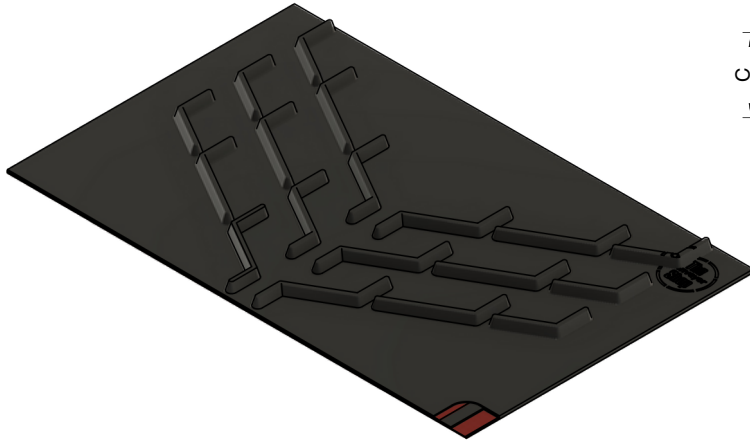
PROFILE VISUAL



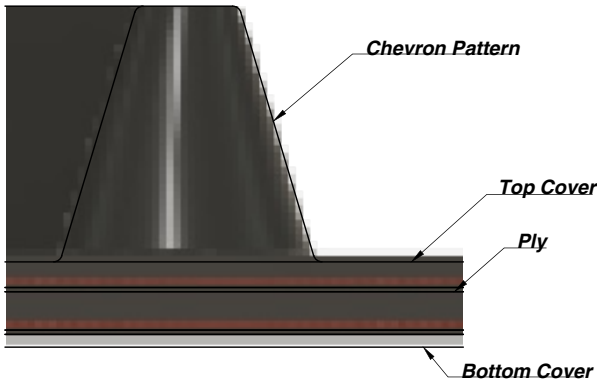
H100 CHEVRON BELTING (DIN 22.102, ± DIN "Y")

Name/Product Code	Top Cover	Bottom Cover	No. of Ply's	Available Belt Widths (A)	Cleat Width (B)	Cleat Pitch (C)	Price / m ²
EP 400 / 3 - 3 + 1mm	3mm	1mm	3	1200 - 1400mm	1000mm	330mm	£86.52
EP 500 / 3 - 3 + 2mm	3mm	2mm	3	1200 - 1400mm	1000mm	330mm	£114.95
EP 500 / 4 - 4 + 2mm	4mm	2mm	4	1200 - 1400mm	1000mm	330mm	£118.80

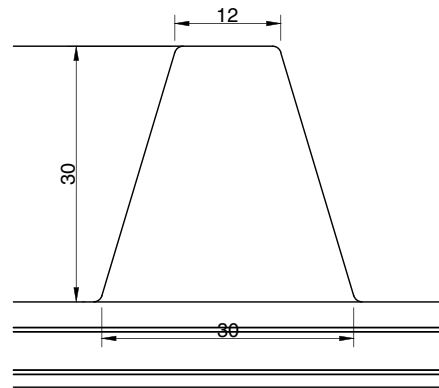
We offer a vast range of chevron belting as per the specifications listed below. If you have any queries or the belt you require isn't listed, please get in touch as we may still be able to help.



ENLARGED BELTING VISUAL



PROFILE VISUAL



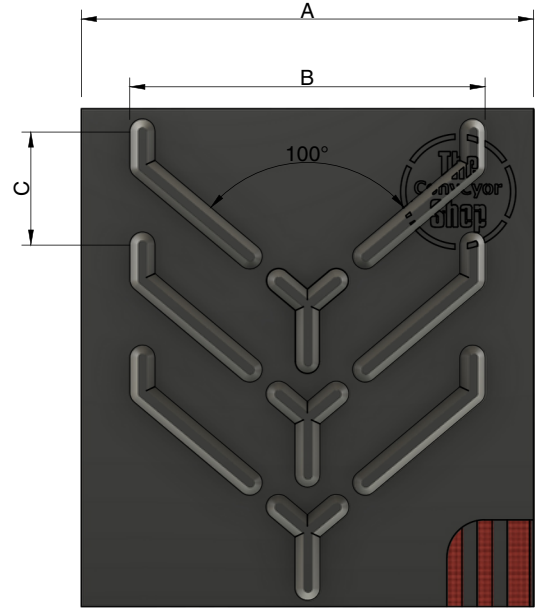
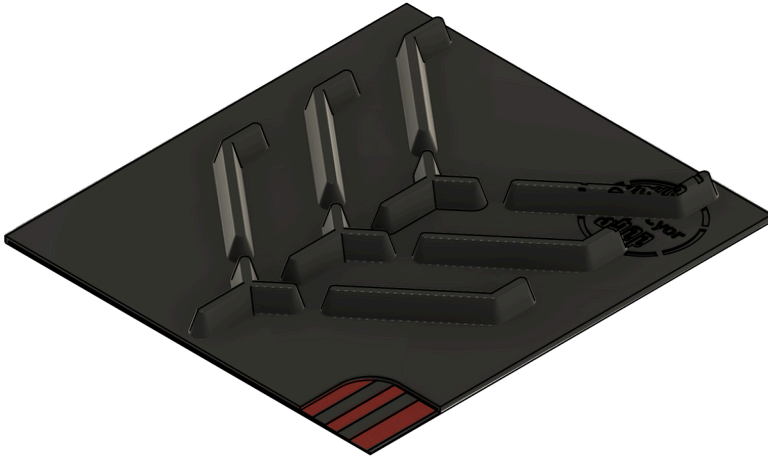
H130 CHEVRON BELTING (DIN 22.102, ± DIN "Y")

Name/Product Code	Top Cover	Bottom Cover	No. of Ply's	Available Belt Widths (A)	Cleat Width (B)	Cleat Pitch (C)	Price / m ²
EP 400 / 3 - 3 + 1mm	3mm	1mm	3	1400 - 1600mm	1300mm	330mm	£138.33
EP 500 / 4 - 3 + 2mm	4mm	2mm	4	1400 - 1600mm	1300mm	330mm	£162.80
EP 500 / 4 - 4 + 2mm	4mm	2mm	4	1400 - 1600mm	1300m	330mm	£171.60

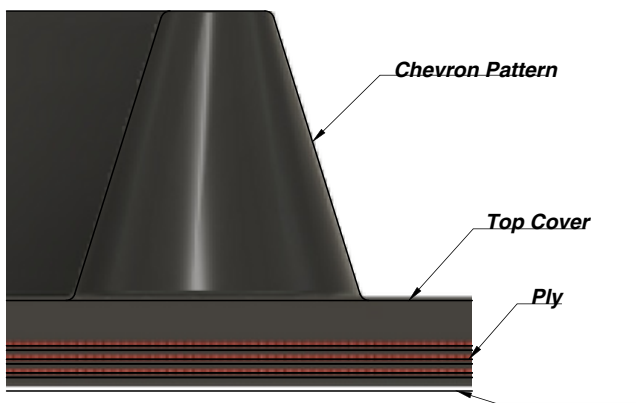
OIL RESISTANT H130 CHEVRON BELTING (DIN 22.102, ± DIN "Y")

Name/Product Code	Top Cover	Bottom Cover	No. of Ply's	Available Belt Widths (A)	Cleat Width (B)	Cleat Pitch (C)	Price / m ²
EP 400 / 3 - 3 + 1mm	3mm	1mm	3	1400mm	1300mm	330mm	£172.04

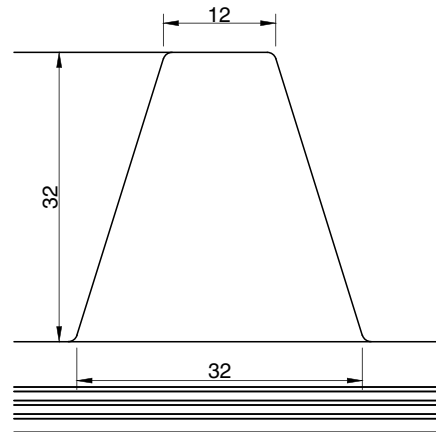
We offer a vast range of chevron belting as per the specifications listed below. If you have any queries or the belt you require isn't listed, please get in touch as we may still be able to help.



ENLARGED BELTING VISUAL



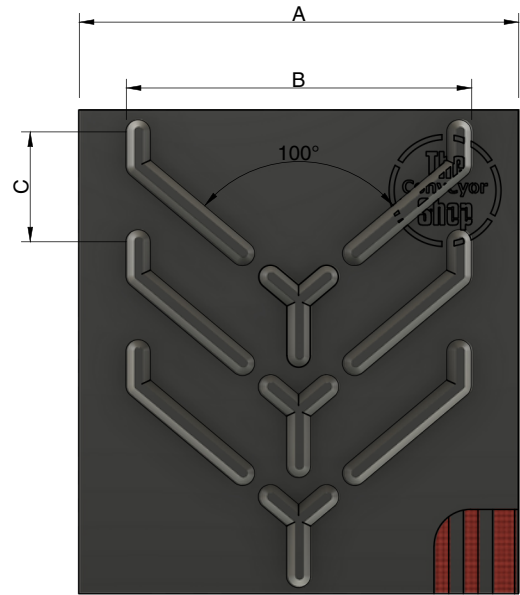
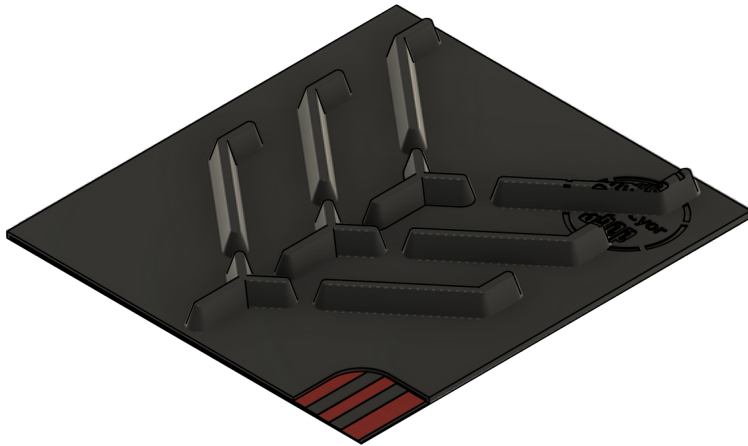
PROFILE VISUAL



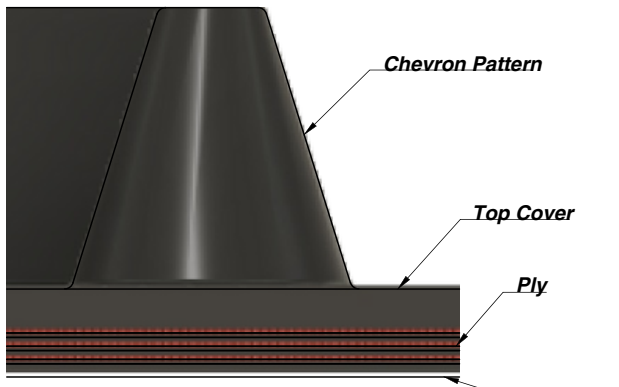
Y32 P450 CHEVRON BELTING (DIN 22.102, ± DIN "Y")

Name/Product Code	Top Cover	Bottom Cover	No. of Ply's	Available Belt Widths (A)	Cleat Width (B)	Cleat Pitch (C)	Price / m ²
EP 250 / 2 - 3 + 1 1/2mm	3mm	1 1/2mm	2	600 - 650mm	450mm	255mm	£64.35
EP 400 / 3 - 3 + 1 1/2mm	3mm	1 1/2mm	3	600 - 650mm	450mm	225mm	£72.60

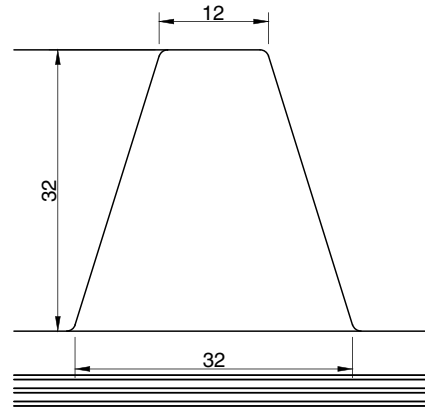
We offer a vast range of chevron belting as per the specifications listed below. If you have any queries or the belt you require isn't listed, please get in touch as we may still be able to help.



ENLARGED BELTING VISUAL



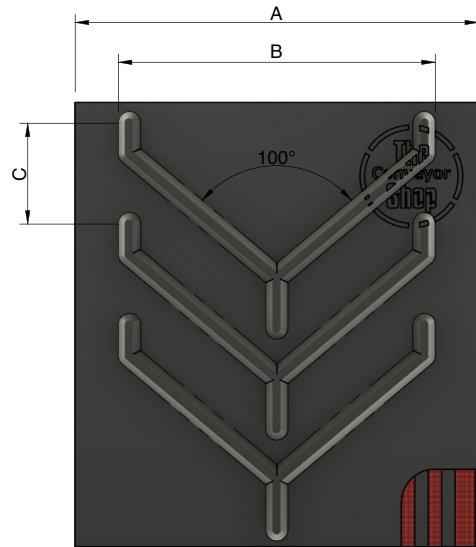
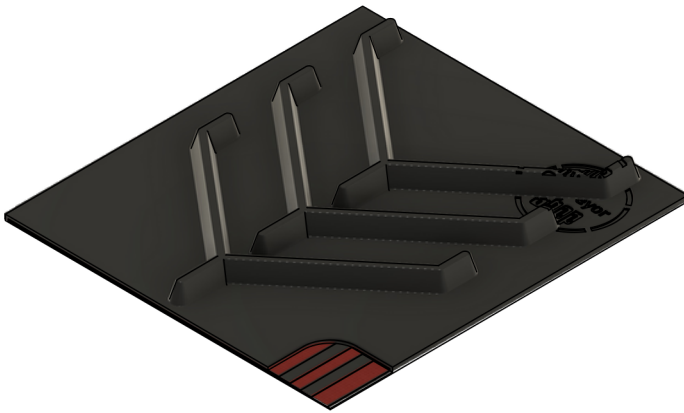
PROFILE VISUAL



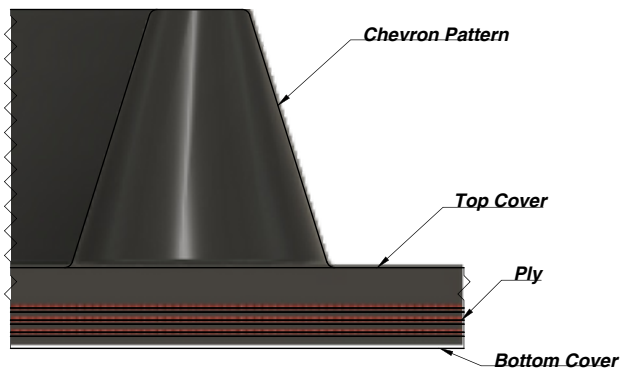
Y32 P600 CHEVRON BELTING (DIN 22.102, ± DIN "Y")

Name/Product Code	Top Cover	Bottom Cover	No. of Ply's	Available Belt Widths (A)	Cleat Width (B)	Cleat Pitch (C)	Price / m ²
EP 400 / 3 - 3 + 1 1/2mm	3mm	1 1/2mm	3	800 - 1000mm	600mm	300mm	£72.60
EP 500 / 4 - 3 + 2mm	3mm	2mm	4	800 - 1000mm	600mm	300mm	£86.13

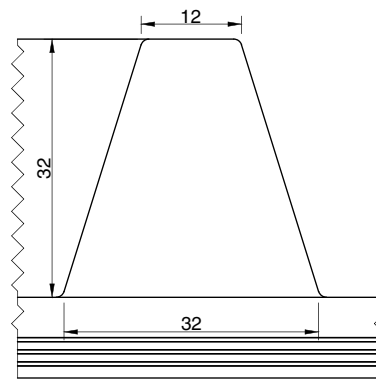
We offer a vast range of chevron belting as per the specifications listed below. If you have any queries or the belt you require isn't listed, please get in touch as we may still be able to help.



ENLARGED BELTING VISUAL

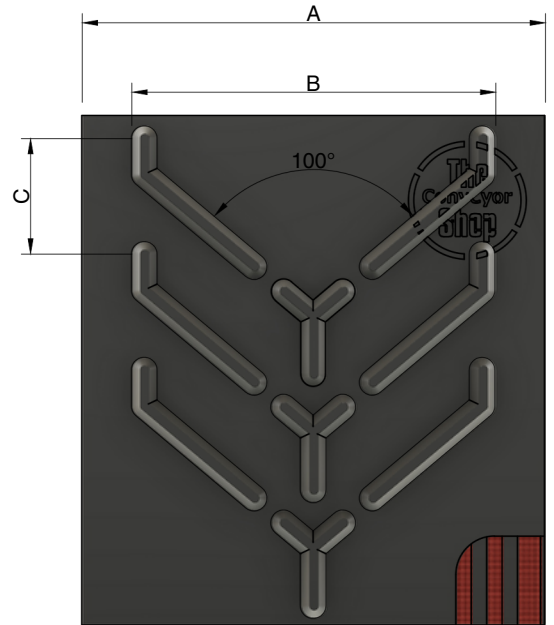
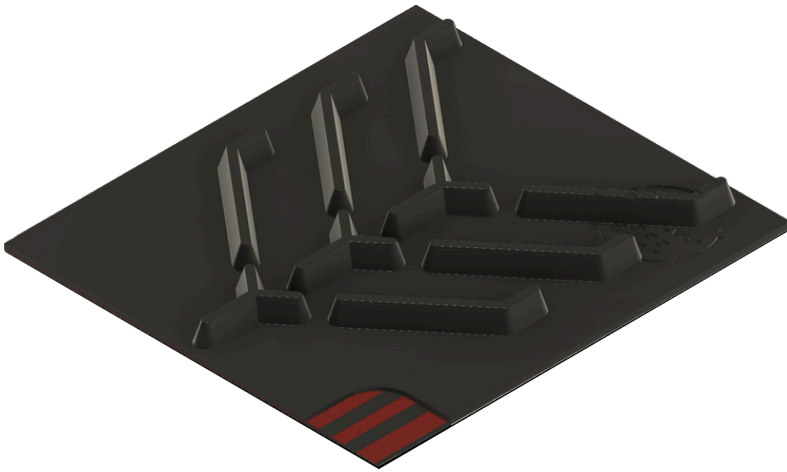


PROFILE VISUAL

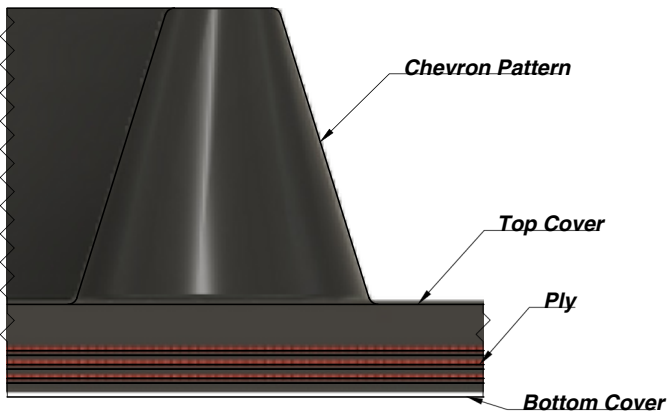


Y32 P600 CHEVRON BELTING (DIN 22.102, ± DIN "Y")							
Name/Product Code	Top Cover	Bottom Cover	No. of Ply's	Available Belt Widths (A)	Cleat Width (B)	Cleat Pitch (C)	Price / m²
EP 400 / 3 - 3 + 1 1/2mm	3mm	1 1/2mm	3	800 - 1000mm	600mm	300mm	£72.60
EP 500 / 4 - 3 + 2mm	3mm	2mm	4	800 - 1000mm	600mm	300mm	£86.13

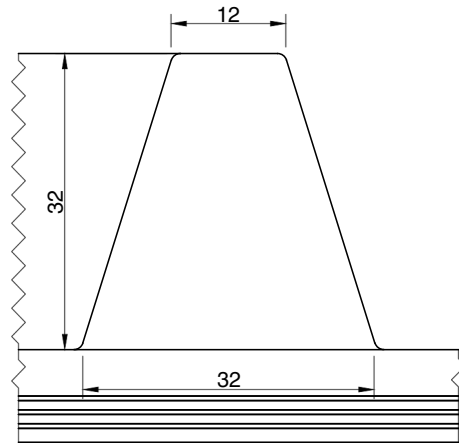
We offer a vast range of chevron belting as per the specifications listed below. If you have any queries or the belt you require isn't listed, please get in touch as we may still be able to help.



ENLARGED BELTING VISUAL



PROFILE VISUAL



Y32 P800 CHEVRON BELTING (DIN 22.102, ± DIN "Y")							
Name/Product Code	Top Cover	Bottom Cover	No. of Ply's	Available Belt Widths (A)	Cleat Width (B)	Cleat Pitch (C)	Price / m ²
EP 400 / 3 - 3 + 2mm	3mm	2mm	3	1000 - 1200mm	800mm	345mm	£72.60
EP 500 / 3 - 3 + 2mm	3mm	2mm	3	1000 - 1200mm	800mm	345mm	£83.82
EP 500 / 4 - 3 + 2mm	3mm	2mm	4	1000 - 1200mm	800mm	345mm	£86.13